

DESCRIPTION

- 1/2" CC connections

OPERATION

- Acrylic knob handle
- Pull-on/push-off design
- Allows control of both temperature selection and volume with a single handle

CARTRIDGE

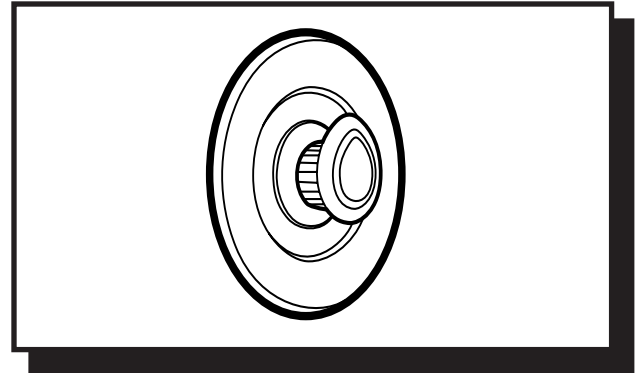
- 1225 cartridge design
- Nonmetallic/nonferrous and stainless steel materials
- Accommodates back to back installations

STANDARDS

- Third party certified by CSA to meet CSA B-125 and ASME A112.18.1M and all applicable requirements referenced therein

WARRANTY

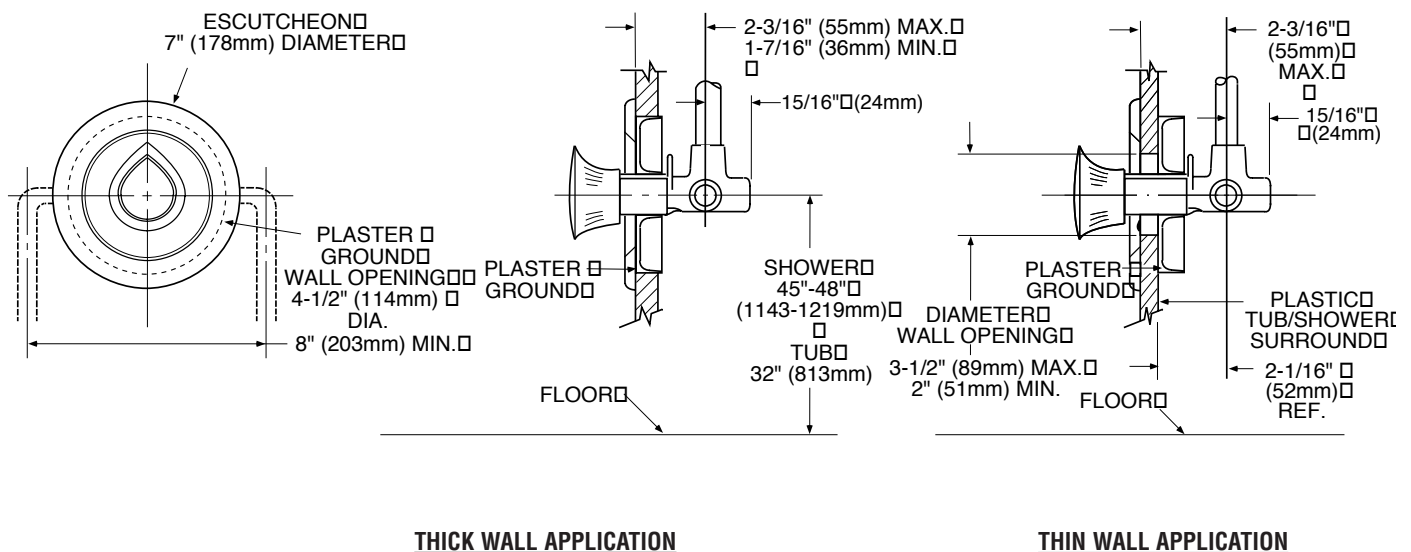
- Lifetime limited warranty against leaks, drips and finish defects to the original consumer purchaser
- 5 year warranty if used in commercial installations



CHATEAU®
Single Handle Shower Valve Only

Model: 62620
(Bulk packed 12 per carton)
Shown with T470 Trim

NOTE: See reverse side for illustrated parts



CRITICAL DIMENSIONS

(DO NOT SCALE)