



Buy it for looks. Buy it for life.®

FAUCET DESCRIPTION

- Metal construction with chrome, oil-rubbed bronze, LifeShine® brushed nickel or pewter finish
- 1/2" IPS connections
- Includes hot and cold indicators
- Includes metal pop-up waste assembly

OPERATION

- Lever style handles
- Maximum handle rotation angle is 90° to full on for either handle
- Hot side counterclockwise to open (clockwise to close)
- Cold side clockwise to open (counterclockwise to close)

FLOW

- Aerator is limited to 2.2 gpm (8.3 L/min).

CARTRIDGE

- 1224 cartridge design
- Nonmetallic, nonferrous and stainless steel material

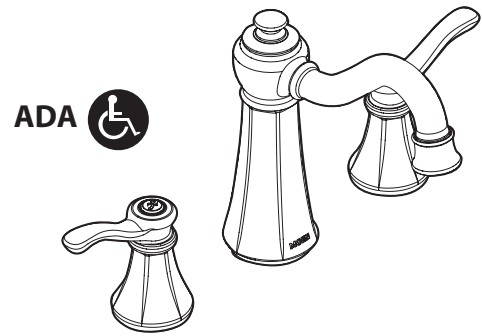
STANDARDS

- Third party certified to CSA B125, ASME A112.18.1M, ANSI A117.1 and all applicable requirements referenced therein
- Certified to ANSI/NSF 61/9
- Complies with California Proposition 65 and with the Federal Safe Drinking Water Act

WARRANTY

- Lifetime limited warranty against leaks, drips and finish defects to the original consumer purchaser
- 5 year warranty if used in commercial installations

Specifications

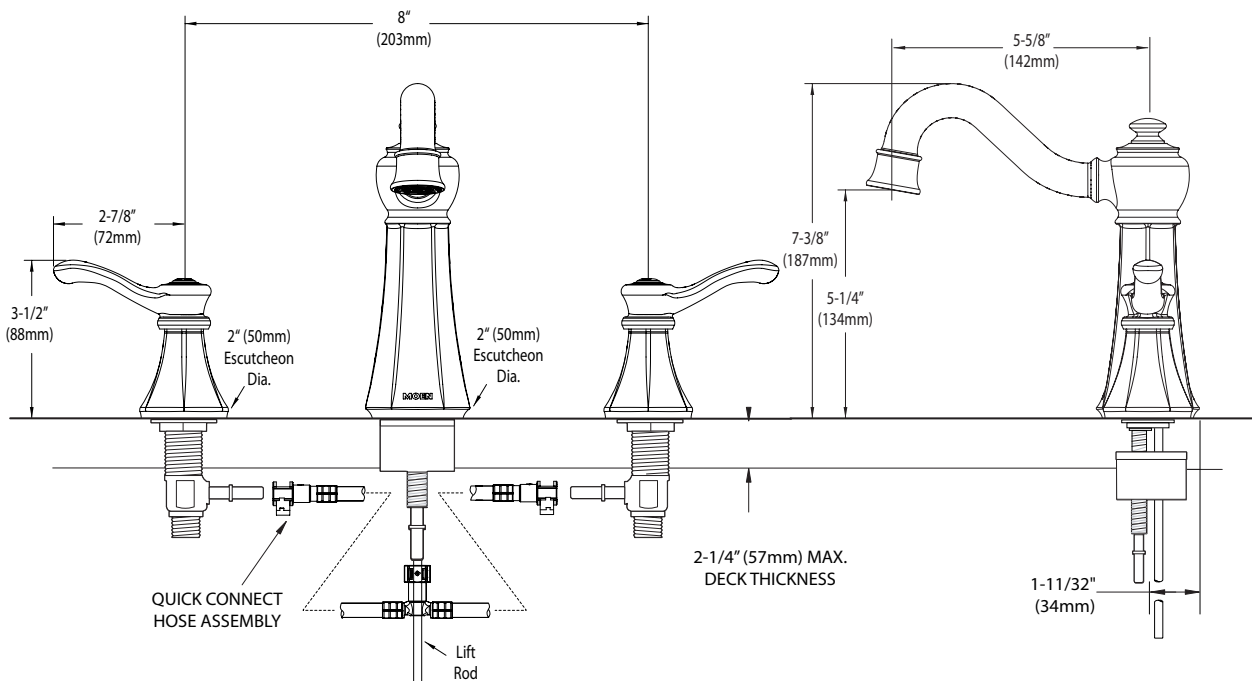


Vestige™ Two Handle Widespread Lavatory Faucet

Models: T6305, T6305BN,
T6305ORB, T6305PW

Valve: 9000, 69000

NOTE: THIS FAUCET IS DESIGNED TO BE INSTALLED
THRU 3 HOLES, 1" MIN. DIA.



CRITICAL DIMENSIONS

(DO NOT SCALE)