

## SINK DESCRIPTION

- Manufactured of ultra durable, scratch resistant granite materials
- The bowl size is 19" x 12" x 8-1/2"
- The sink ledge has one fixture mounting hole, 1-3/8" ± 1/8" in diameter with 4 additional knock out" type holes provided
- The bowl has one 3-1/2" diameter recessed drain opening in each bowl
- Includes all necessary mounting hardware (sealant supplied by others)
- This model is designed for under counter mounting, specify Moen Service Kit #100509P which includes mounting hardware, template and installation instructions.

## CUT OUT DIMENSIONS

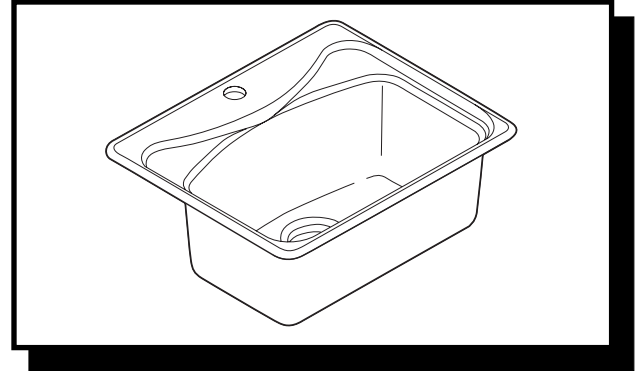
- Cutout is made by installer and should be 21" x 17-1/8"
- Order template separately: Order kit # 100507P (drop-in and undermount on one template).

## STANDARDS

- Third party certified by IAPMO to meet ANSI Z-124.6-97 and all applicable specifications referenced therein.

## WARRANTY

- Fifteen year limited warranty against material or manufacturing defects



## MoenStone® Prepatory Sink

### Model Numbers:

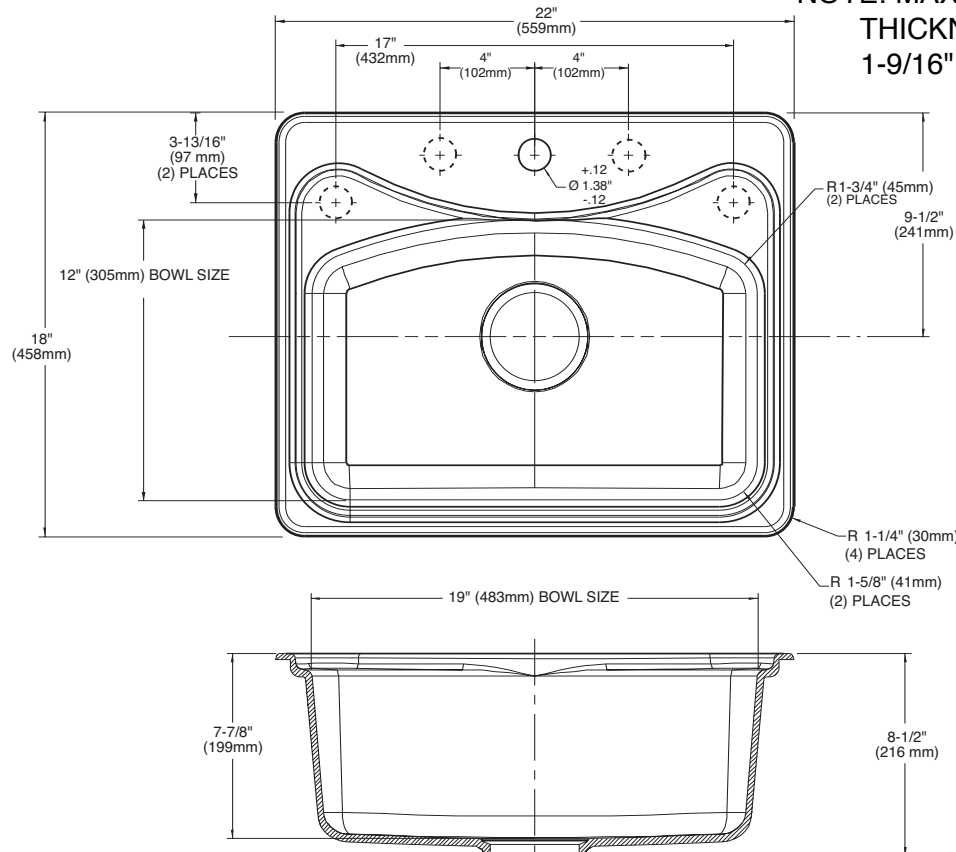
#### Standard Colors:

- 25225W White
- 25225V Ivory
- 25225BK Black

#### Premium Colors:

- 25225BL Blue
- 25225M Metallic

NOTE: MAXIMUM DECK THICKNESS IS 1-9/16" (40mm)



## CRITICAL DIMENSIONS

(DO NOT SCALE)