

DESCRIPTION

- Brass construction with chrome plated finish
- 4" centerset
- 1/2" IPS supply shanks
- Vandal resistant screws

OPERATION

- Wrist blade handles with hot and cold color indicators
- Hot side counterclockwise (1/4) turn to open (clockwise to close)
- Cold side clockwise (1/4) turn to open (counterclockwise to close)

FLOW

- Aerator is limited to 2.2 gpm max (8.3 L/min)

CARTRIDGE

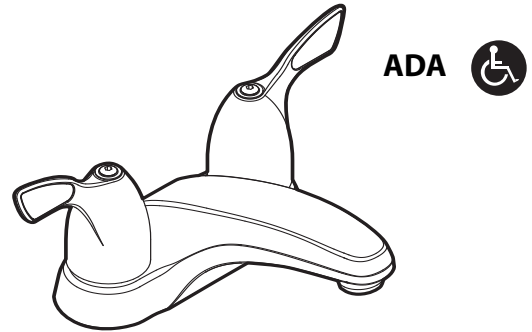
- Ceramic 28mm cartridge design
- Nonmetallic/nonferrous and ceramic material

STANDARDS

- Third party certified to CSA B125, ASME A112.18.1M, ANSI A117.1, and all applicable requirements referenced therein
- Certified to ANSI/NSF 61/9
- Complies with California Proposition 65 and with the Federal Safe Drinking Water Act

WARRANTY

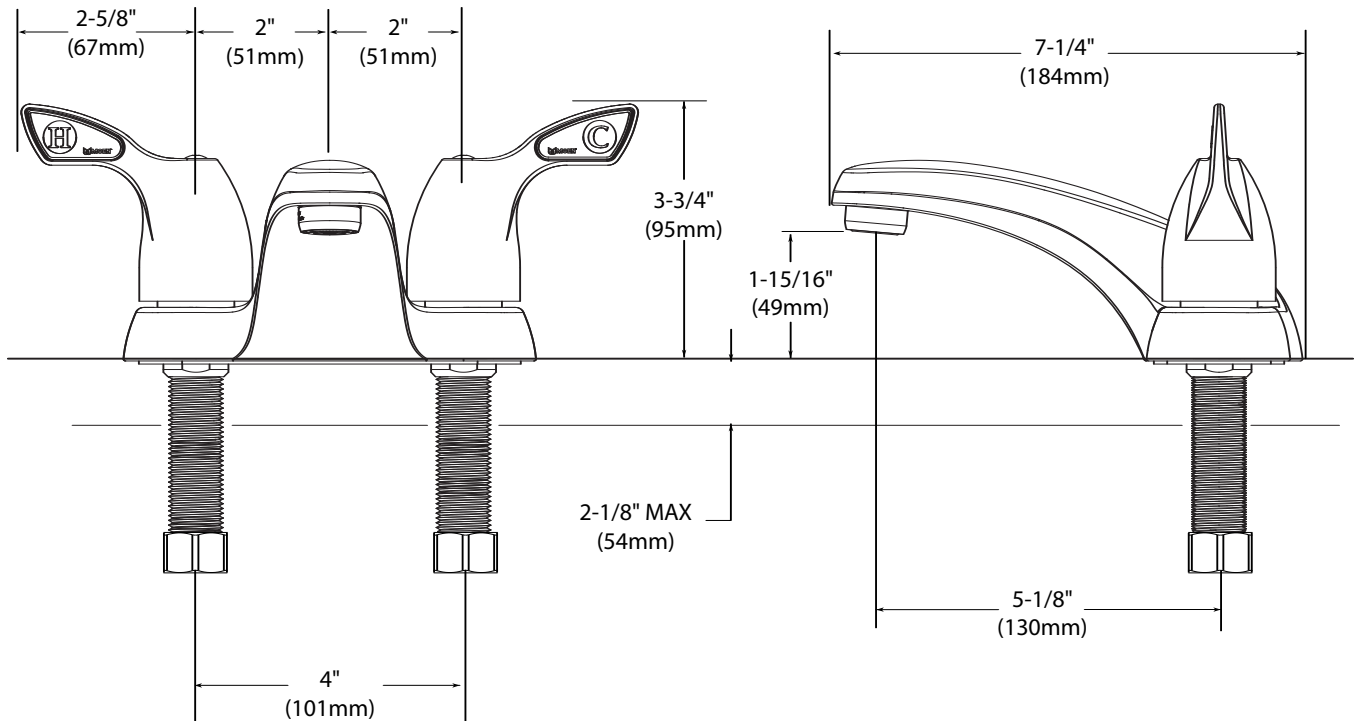
- Warranted for 5 years against material or manufacturing defects



Two Handle Lavatory Faucet

Model: 8140

NOTE: THIS FAUCET IS DESIGNED TO BE INSTALLED THRU 2 HOLES, 1" MIN. DIA.



CRITICAL DIMENSIONS

(DO NOT SCALE)