



Buy it for looks. Buy it for life.®

Specifications

FAUCET DESCRIPTION

- Metal construction with chrome plated, decorative glacier, matte black or stainless finish
- 1/2" IPS connections will accept standard ball nose connection for 3/8" tubing
- Carbon block filter technology manufactured by Culligan®
- Electronic filter life indicator takes standard 2032 watch battery (included)
- Includes Protégé side spray

OPERATION

- Lever style handle
- Temperature controlled by 180° arc of handle travel
- Will operate with less than 5 lbs. of force
- Filtered water dispenses through separate channel

FLOW

- Unfiltered flow is limited to 2.2 gpm @ 60 psi (8.3 L/min).
- Filtered flow is limited to .5 gpm

CARTRIDGE

- 1225 cartridge design
- Nonmetallic, nonferrous and stainless steel material

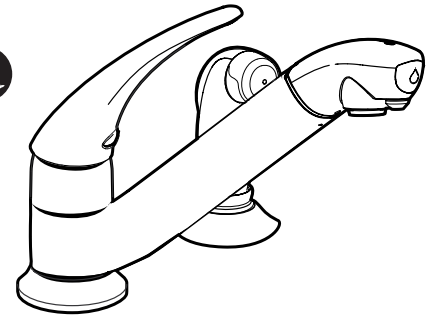
STANDARDS

Faucet

- Complies with: CSA B-125, ASME A112.18.1M, IAPMO PS 49, NSF 61 Section 9, California Proposition 65, ANSI A117.1, ADA and the Federal Safe Water Drinking Act

Filter - MicroTech 600

- Complies with: NSF53-Lead, Cysts reduction, NSF42 Chlorine reduction, Class I; Taste and Odor reduction



PureTouch® Classic™
Single-Handle Kitchen Filtering Faucet with
Protégé Side Spray

Models: 7037, 7037W, 7037SL

Discontinued Model: 7037BL

NOTE: DESIGNED TO INSTALL THROUGH 2 HOLES
1-1/4" (32mm) MIN. DIA. AND 4" (102mm) ON CENTER.

WARRANTY

Faucet

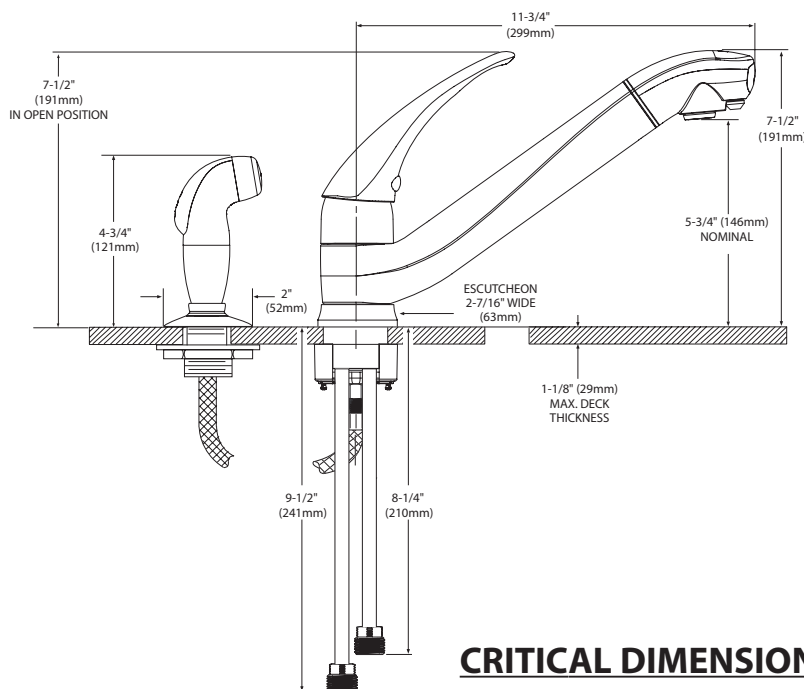
- Lifetime limited warranty against leaks, drips and finish defects to the original consumer purchaser
- 5 year warranty if used in commercial installations

Filtering Appliance

- One year limited warranty on manufacturer's defects to the original consumer purchaser
- 6 month warranty if used in commercial installations

Filter

- 30 day warranty on manufacturer's defects



CRITICAL DIMENSIONS

(DO NOT SCALE)