

HIGH PERFORMANCE  
FURNITURE FOR YOUR  
**H O M E**



# Trevano™ Home Furniture

www.bdiusa.com  
customerservice@bdiusa.com

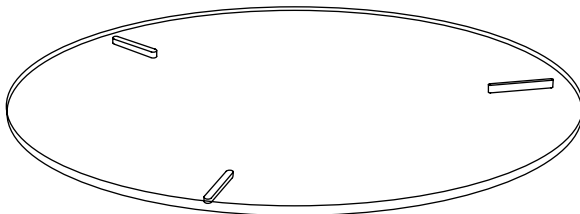
## Placement and Maintenance

Trevano™ Home Furniture is designed for indoor use on level floors. Clean glass with glass cleaner, and steel parts and wood veneer with a moist cloth.

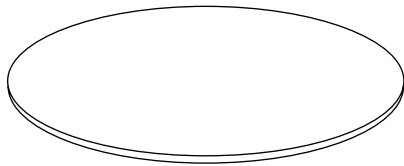
Your Trevano™ Home Furniture is engineered for easy assembly. Carefully follow this procedure to prevent any damage.

Designed by Matthew Weatherly.

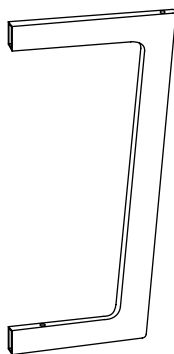
'Trevano' is a trademark of Becker Designed, Inc. All rights reserved.  
©2008 Becker Designed, Inc.



**A** - Glass Shelf x 1



**B** - Wood Shelf x 1



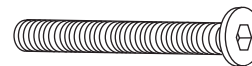
**C** - Metal Leg x 3



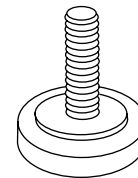
**D** - Short Screw x 12



**E** - Glass Shelf Screw x 3



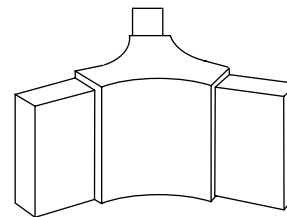
**F** - Wood Shelf Screw x 3



**G** - Leveler Glide x 3 (pre-installed)



**H** - Hex Wrench x 1



**I** - Hub x 2

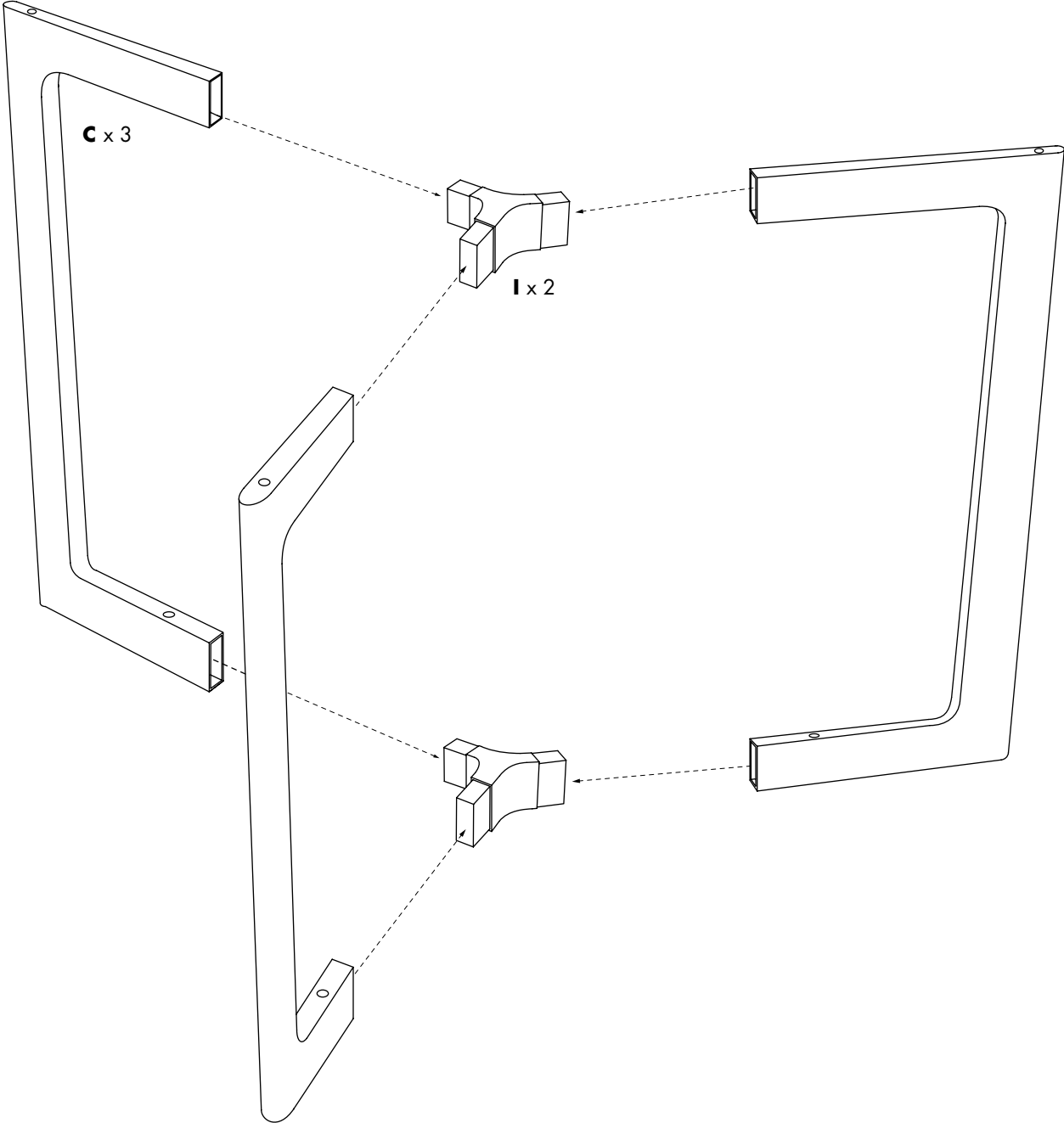
## Step 1

### Unpack and identify the parts listed on this page.

The assembly workspace should be a non-marring surface such as carpet. For missing hardware pieces, please contact BDI Customer Service at: customerservice@bdiusa.com For all other concerns please contact your local BDI Retailer.

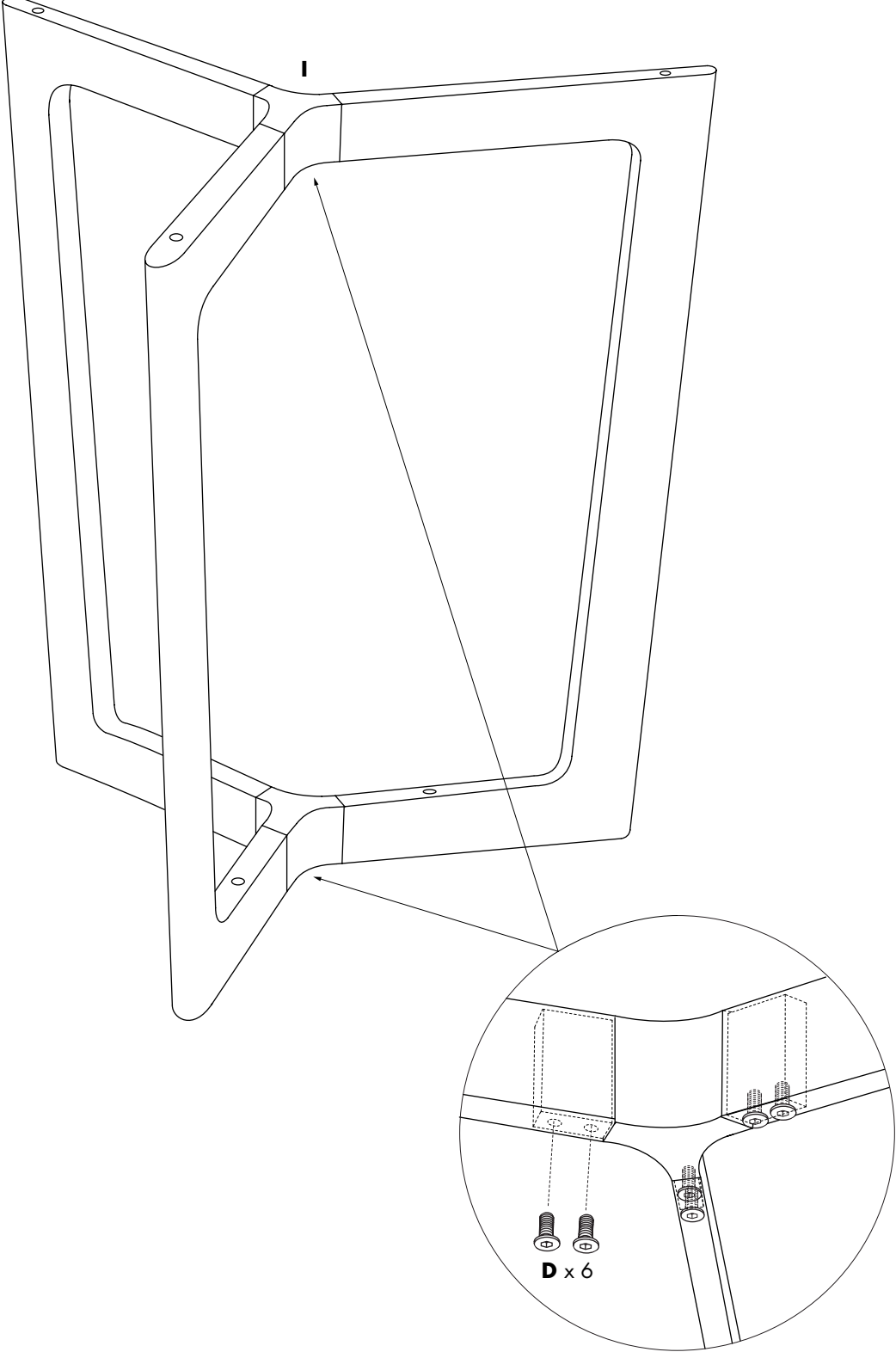
**Step 2**

Assemble Metal Leg (C) to Hub (I) as shown below.



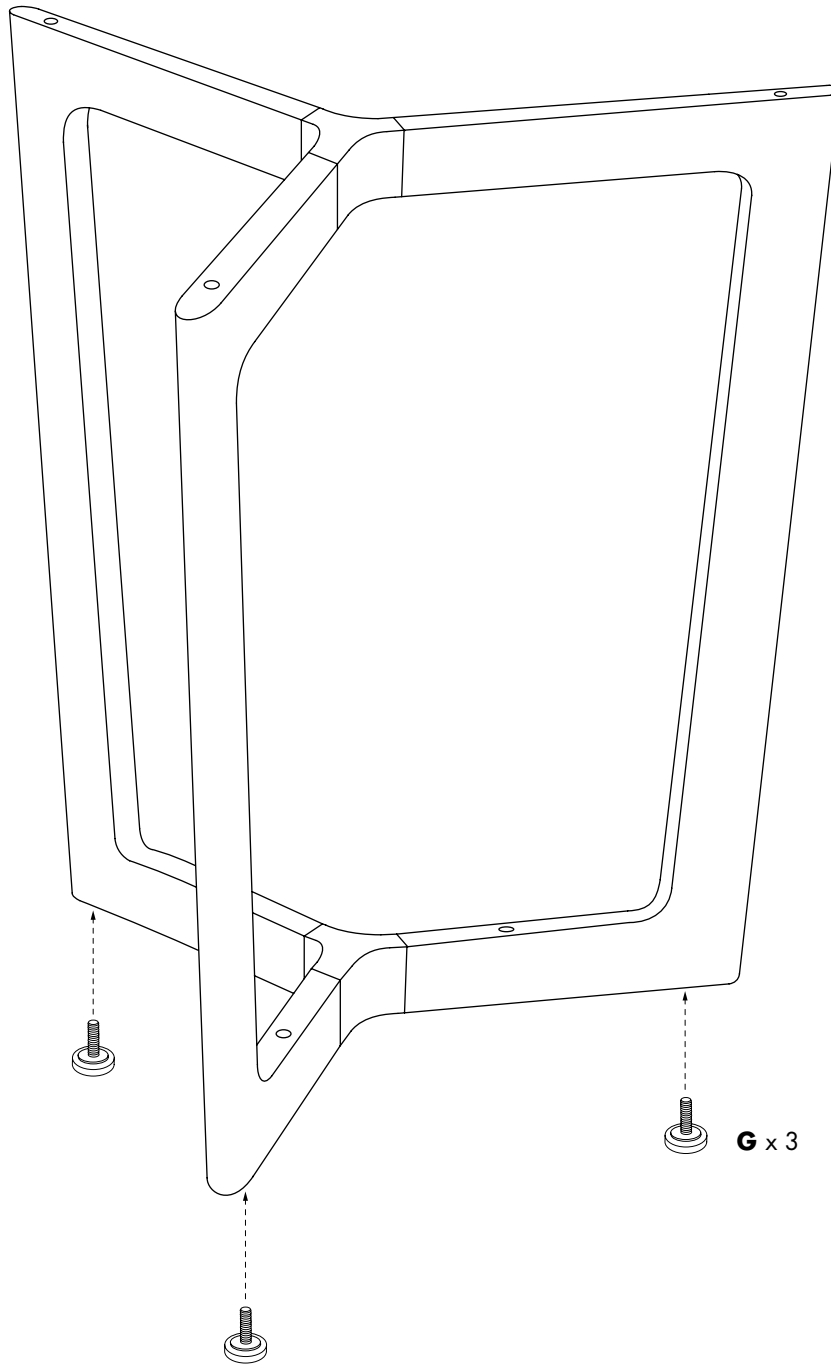
**Step 3**

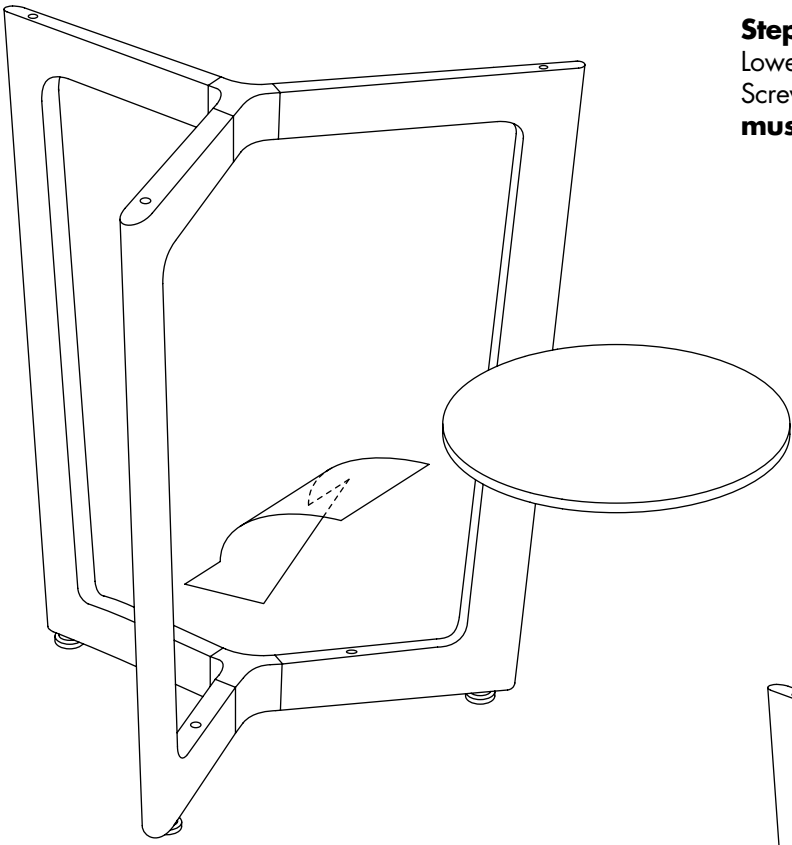
Tighten Short Screws **(D)** to Hub **(I)** using Hex Wrench **(H)**.



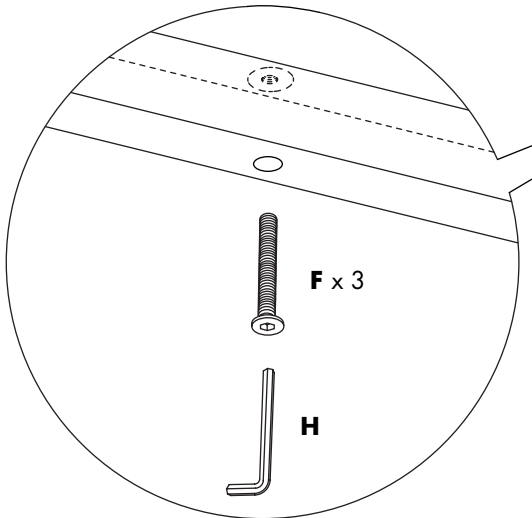
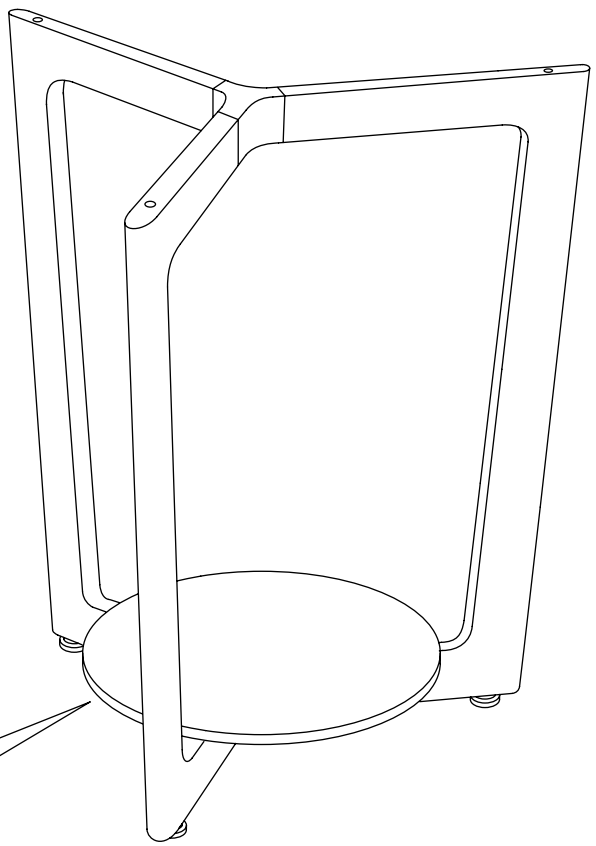
**Step 4**

Leveler Glides (**G**) are pre-installed.





**Step 5**  
Lower Wood Shelf (**B**) and attach using Wood Shelf Screws (**F**) and Hex Wrench (**H**). **Note: Assembly must be positioned upside down for this step.**



**Step 6**

Lower Glass Shelf **(A)** on to table assembly and attach Glass Shelf Screws **(E)** using Hex Wrench **(H)**.

