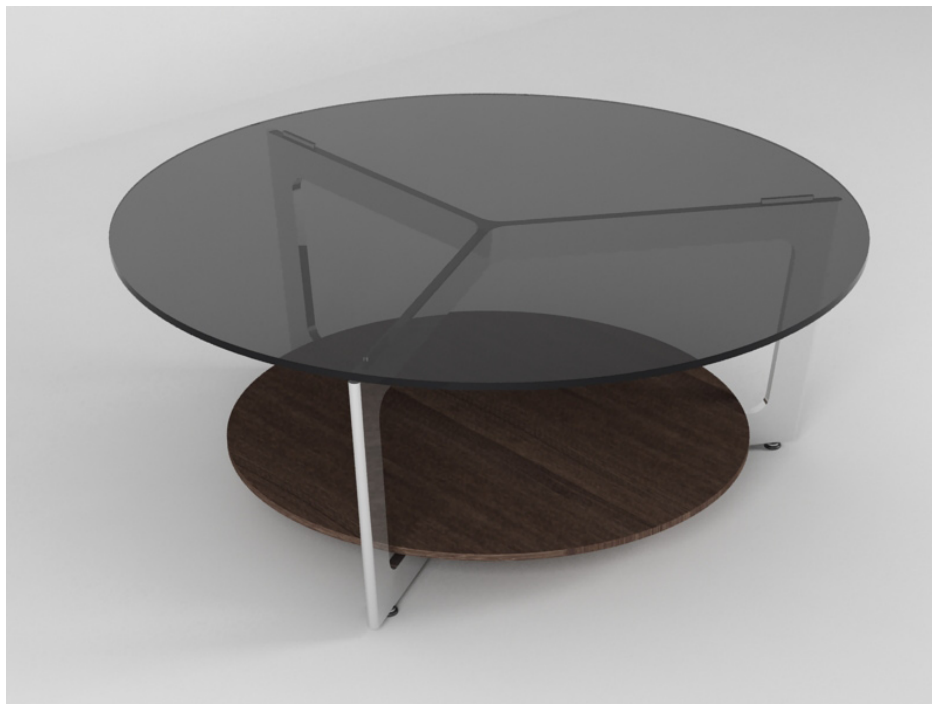




HIGH PERFORMANCE
FURNITURE FOR YOUR
H O M E



Trevano™ Home Furniture

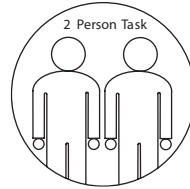
www.bdiusa.com
customerservice@bdiusa.com

Placement and Maintenance

Trevano™ Home Furniture is designed for indoor use on level floors. Clean glass with glass cleaner, and steel parts and wood veneer with a moist cloth.

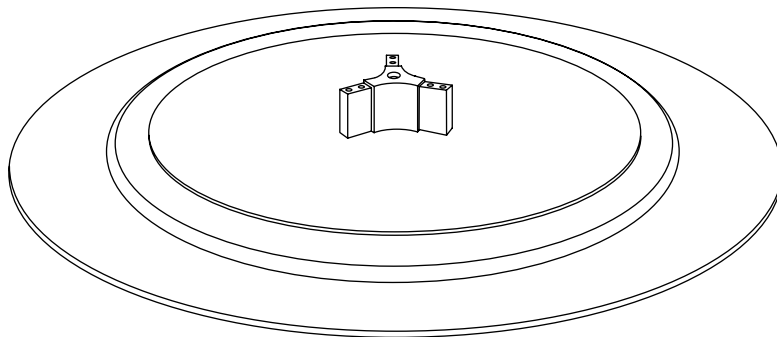
Your Trevano™ Home Furniture is engineered for easy assembly. Carefully follow this procedure to prevent any damage.

BDI strongly recommends two (2) people for successful product assembly.

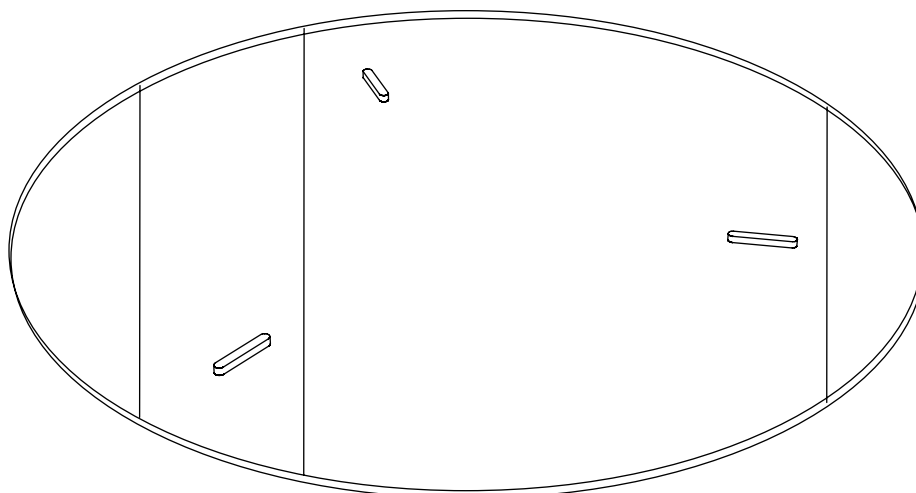


Designed by Matthew Weatherly.

'Trevano' is a trademark of Becker Designed, Inc. All rights reserved. ©2008 Becker Designed, Inc.



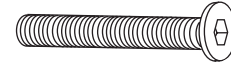
A - Shelf Assembly x 1



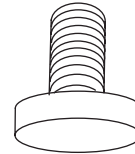
B - Glass Shelf x 1



C - Short Screw x 12



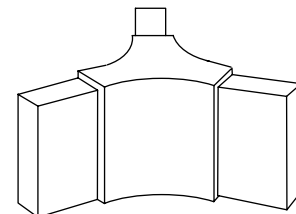
D - Long Screw x 3



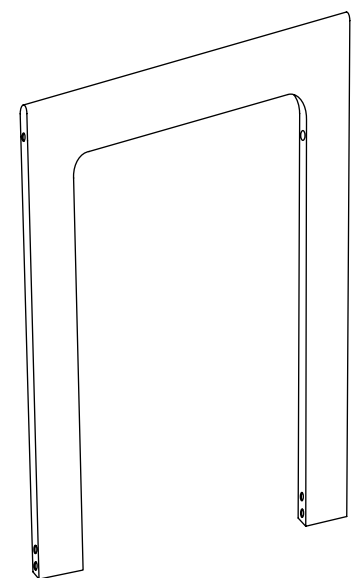
E - Leveler Glide x 3
(Pre-Installed)



F - Hex Wrench x 1



G - Hub x 1



H - Leg x 3

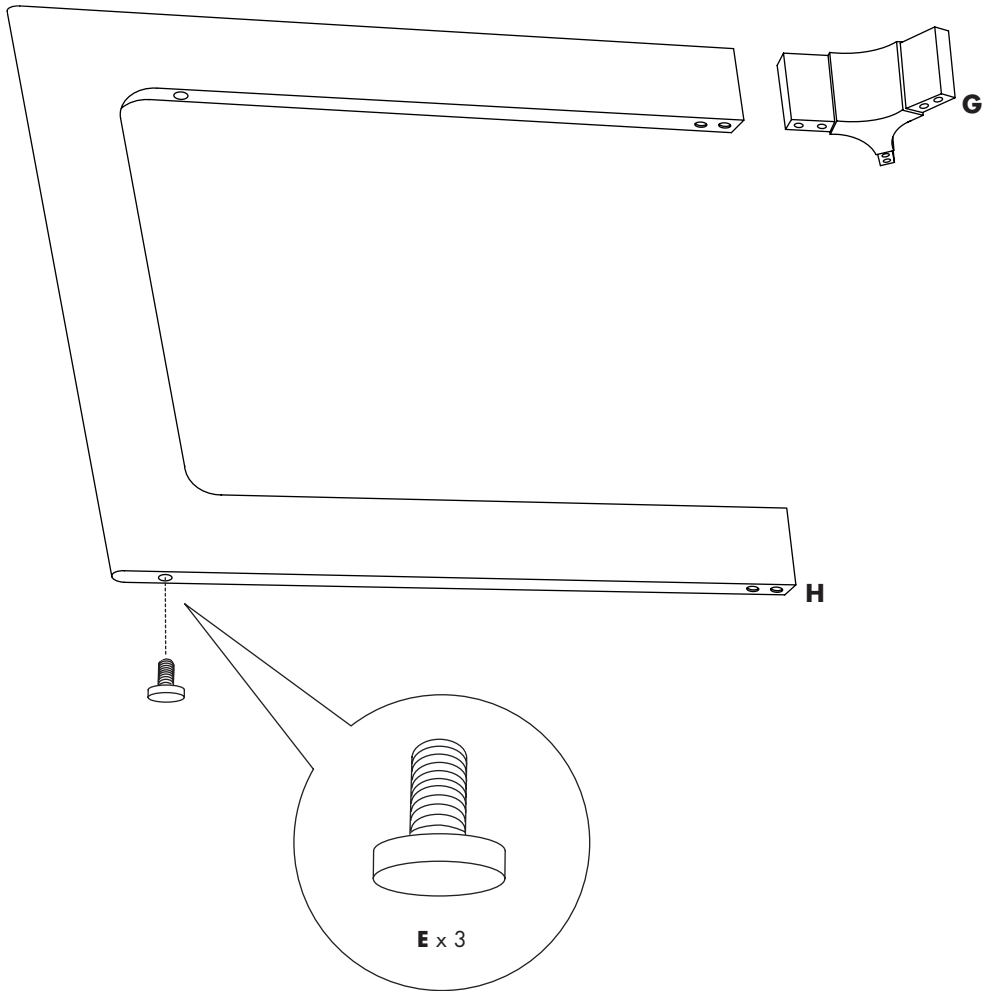
Step 1

Unpack and identify the parts listed on this page.

The assembly workspace should be a non-marring surface such as carpet. For missing hardware pieces, please contact BDI Customer Service at: customerservice@bdiusa.com For all other concerns please contact your local BDI Retailer.

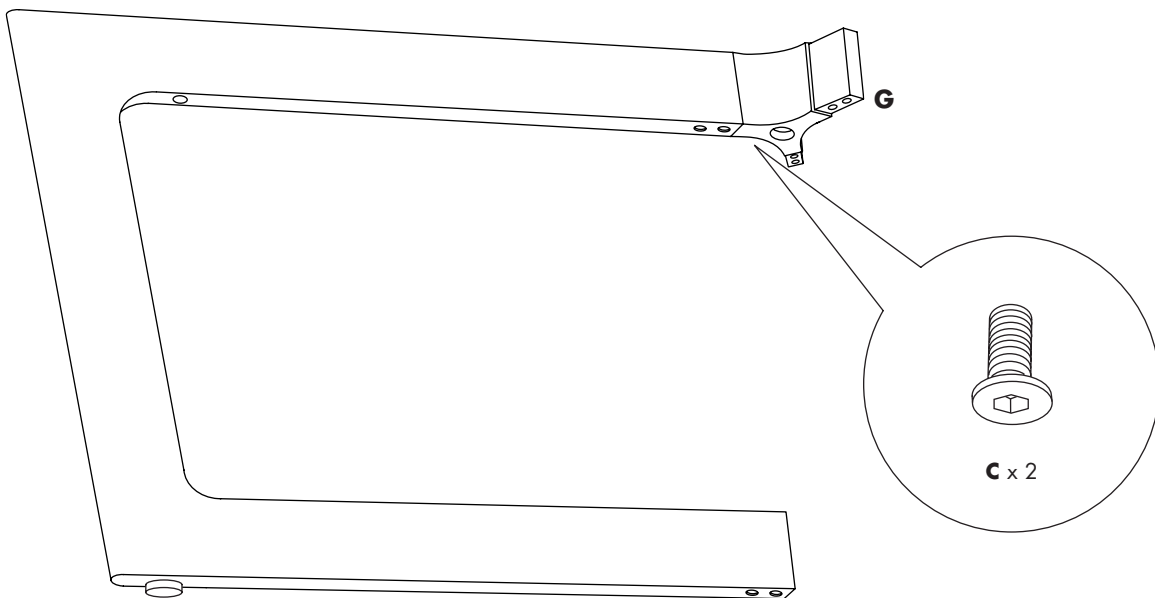
Step 2

Install Hub (**G**) to upper section of only one leg (**H**).



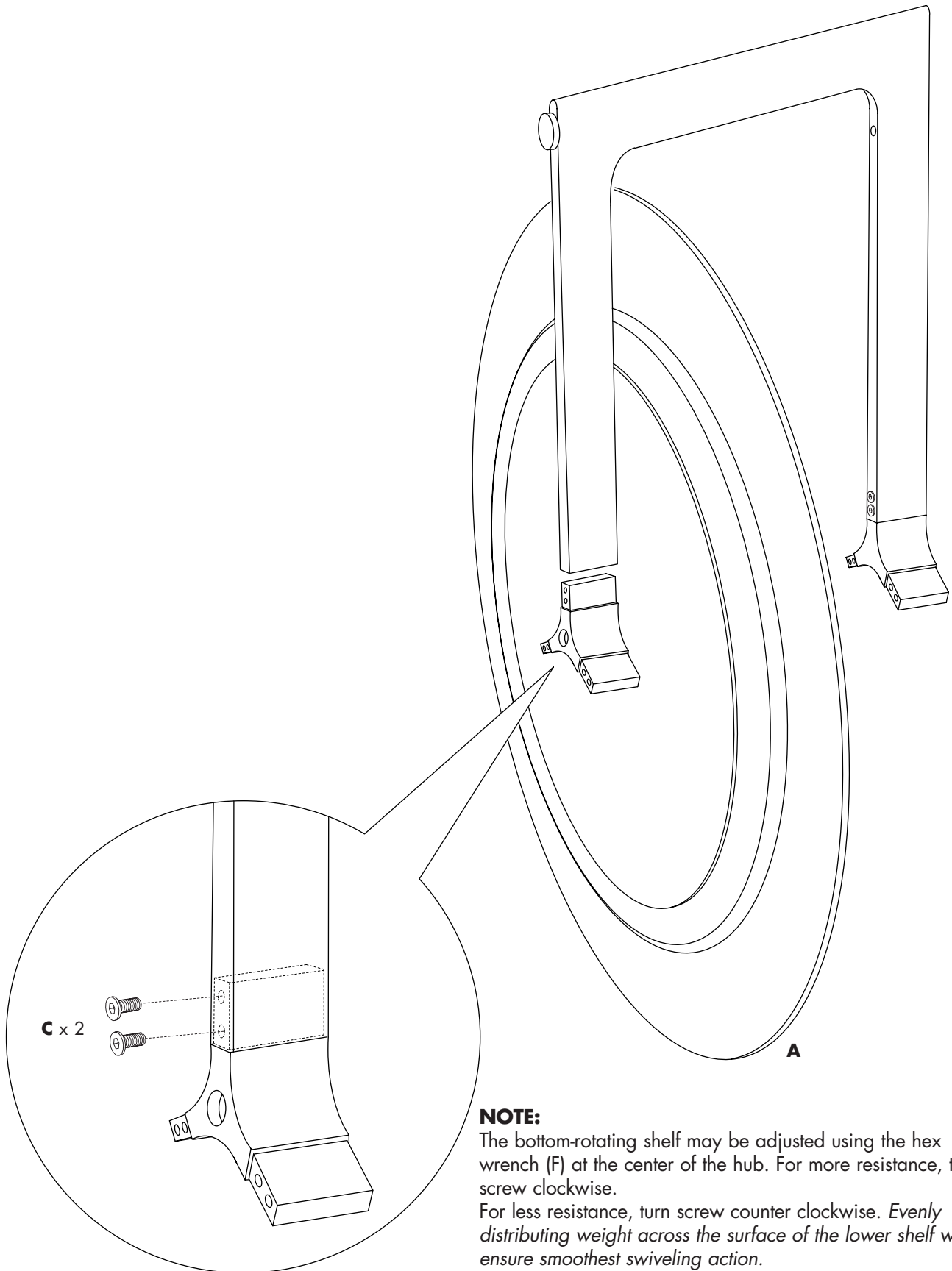
Step 3

Once hub is installed, fasten using two screws (**C**) with hex wrench (**F**). Do not install second leg until after **Step 4**.



Step 4

Attach the one leg assembly to bottom side of the shelf assembly (**A**) using hex wrench (**F**).
Assembly may be easier with shelf set vertically.



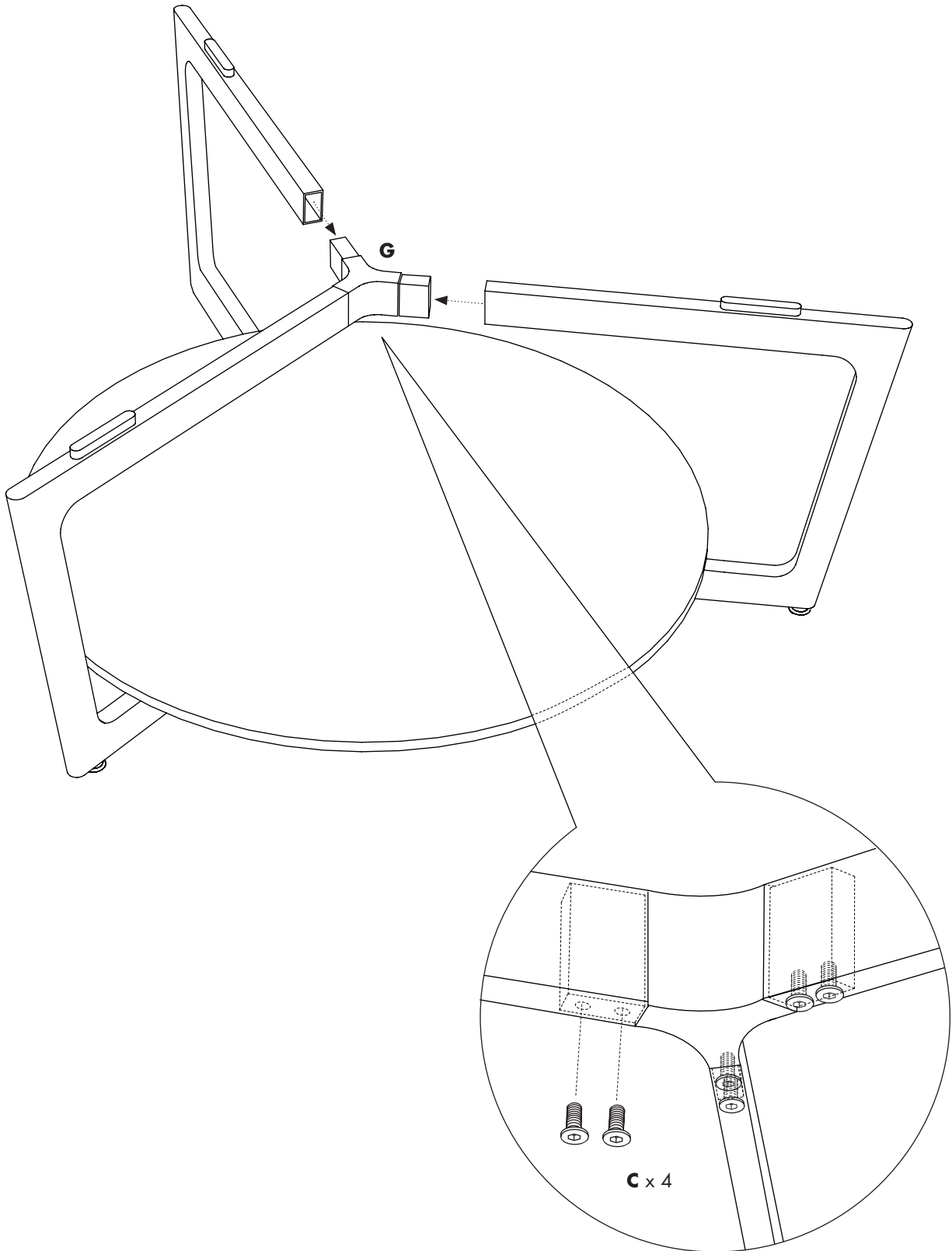
NOTE:

The bottom-rotating shelf may be adjusted using the hex wrench (F) at the center of the hub. For more resistance, turn screw clockwise.

For less resistance, turn screw counter clockwise. *Evenly distributing weight across the surface of the lower shelf will ensure smoothest swiveling action.*

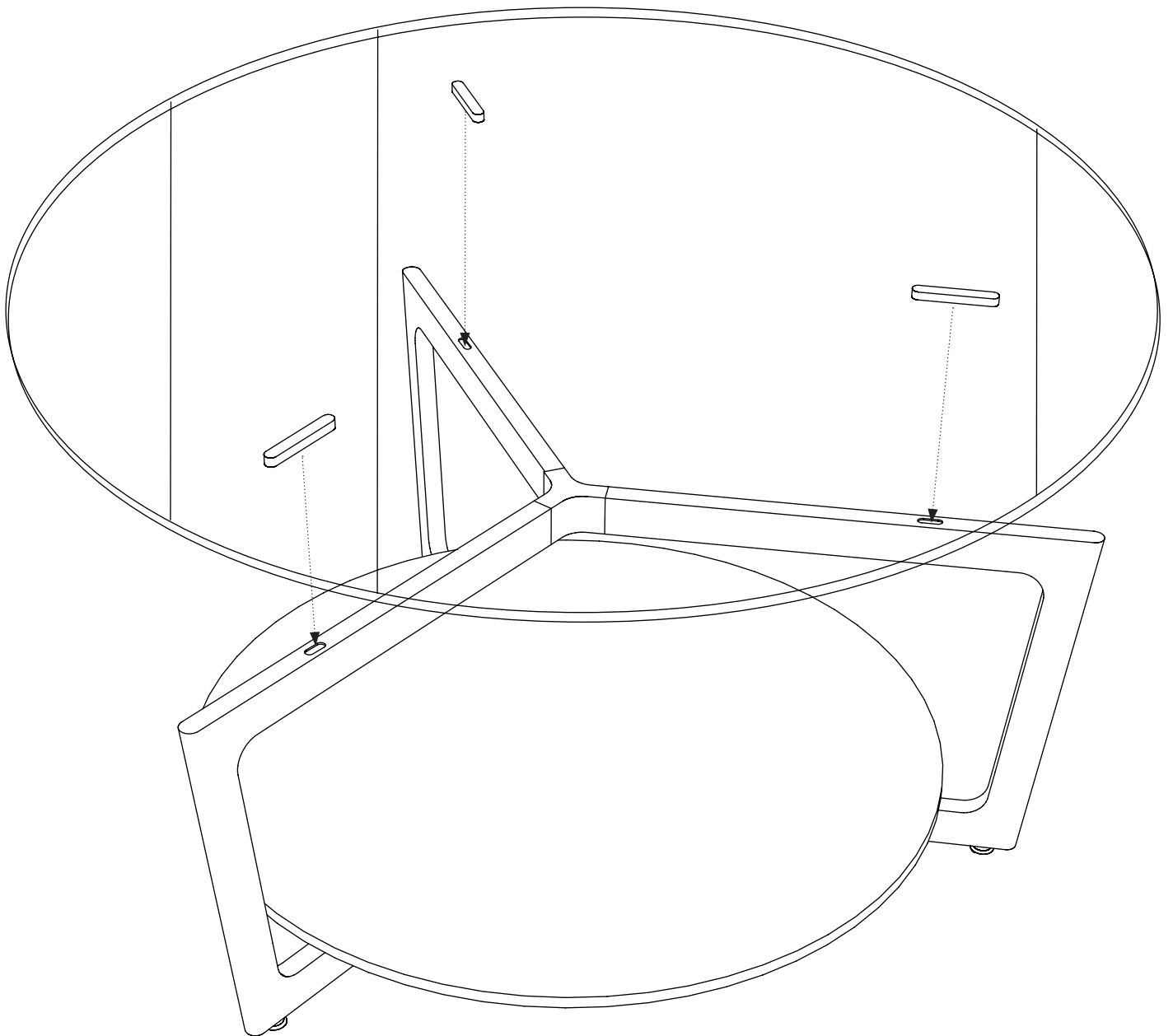
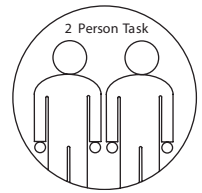
Step 5

Install remaining two leg **(H)** assemblies as shown. Fasten using screws **(C)** to the underside of the hub **(G)**.



Step 6

Accompanied by a second person holding the opposite end of the shelf, carefully lower glass shelf (B) onto frame assembly.



Step 7

Once glass shelf is in position, tighten screw **(D)** using hex wrench **(F)** underneath glass shelf.

