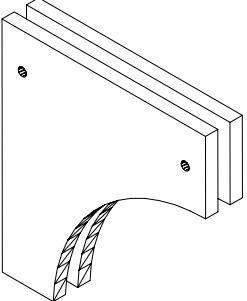
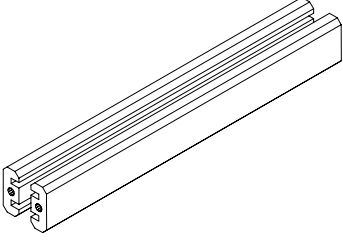
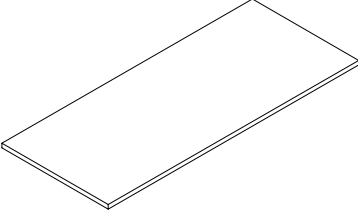
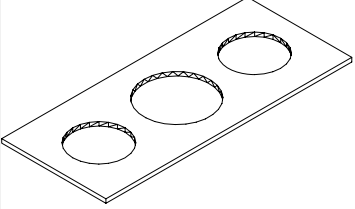
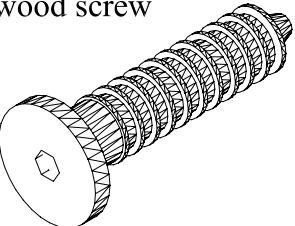
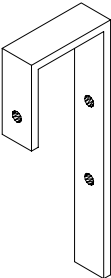
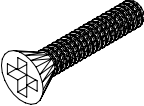
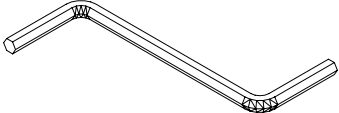
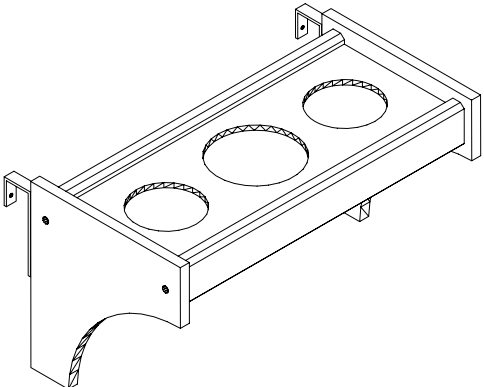


ASSEMBLY INSTRUCTION

#2110 BEDSIDE CUP HOLDER

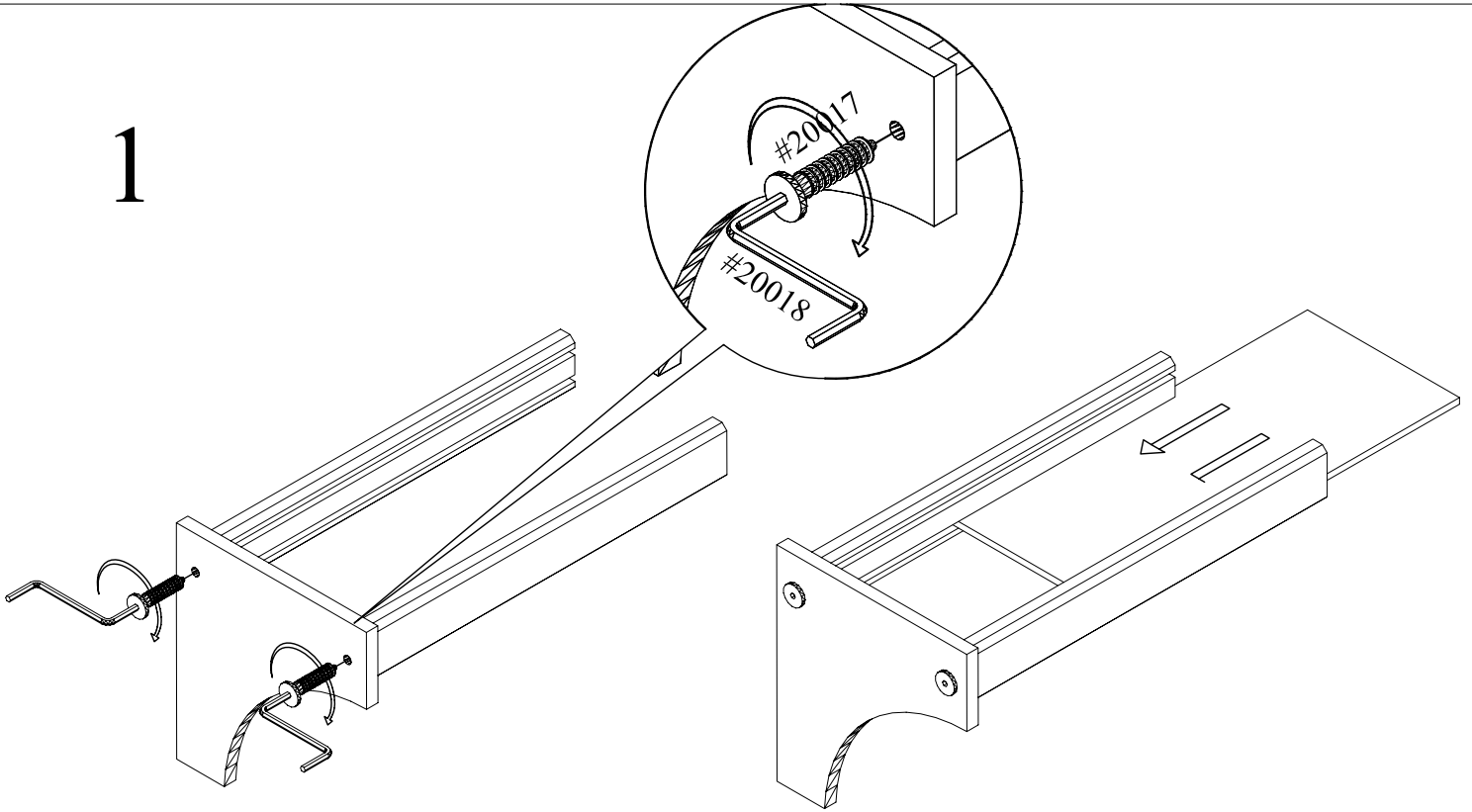
Maxwood Furniture Inc.

WWW.MAXTRIXKIDS.COM

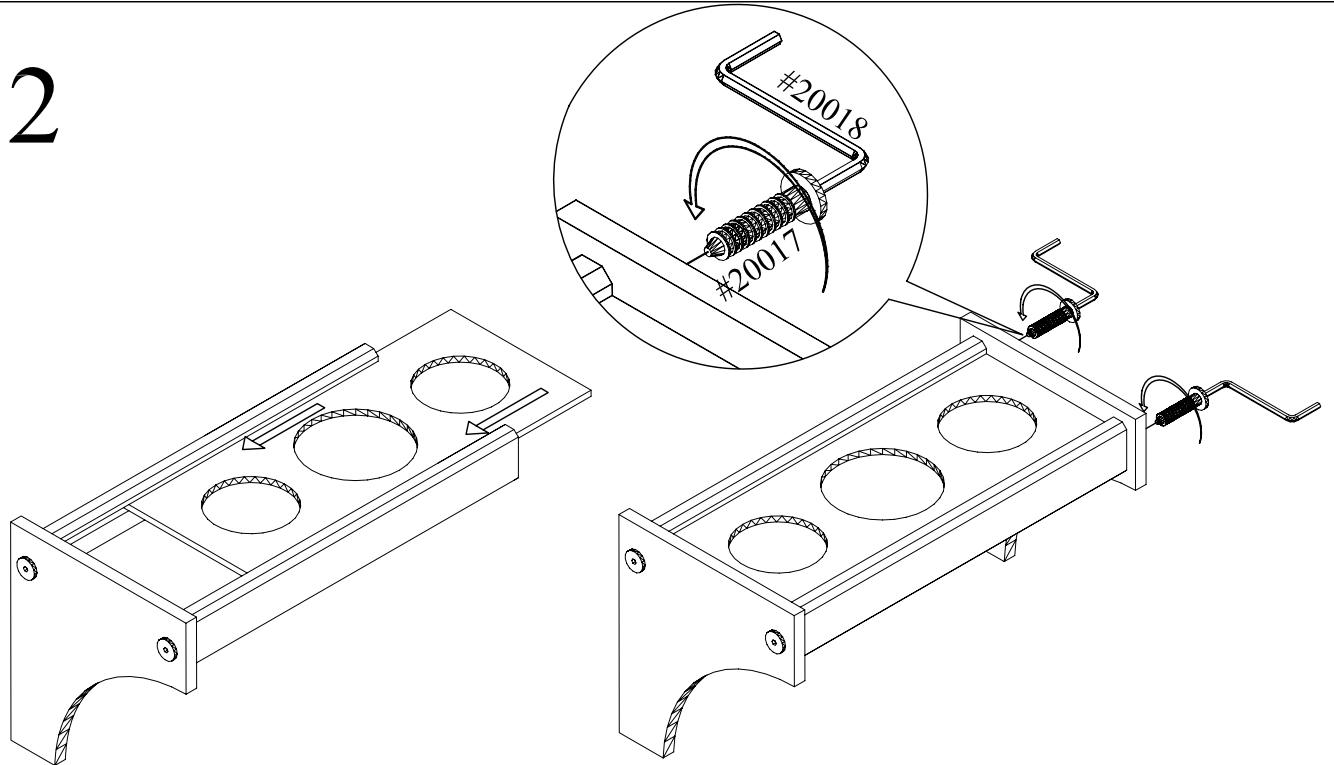
<p>#21067: Tray side</p> 	<p>#21071: Bedside cup holder front/back</p> 	<p>#21070: Bedside tray bottom</p> 	<p>#21072: Bedside cup holder (with 3 holes)</p> 
<p>2 x #21067</p>	<p>2 x #21071</p>	<p>1 x #21070</p>	<p>1 x #21072</p>
<p>#20017: 45mm Hex head wood screw</p> 	<p>#20047: Narrow J-hook</p> 	<p>#20045: 19mm wood screw</p> 	<p>#20018: Hex wrench 5mm</p> 
<p>4 x #20017</p>	<p>2 x #20047</p>	<p>6 x #20045</p>	<p>1 x #20018</p>
			

675 E. WASHINGTON AVE BRIDGEPORT CT 06608

1



2



3

