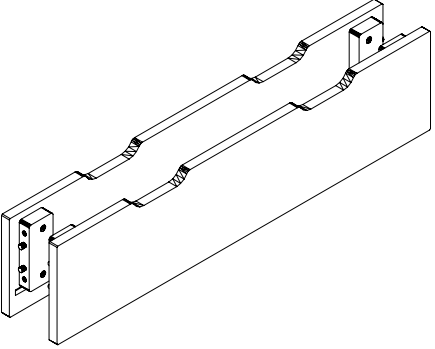
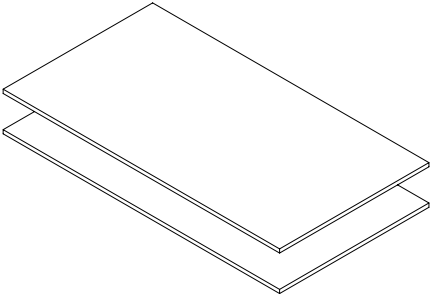
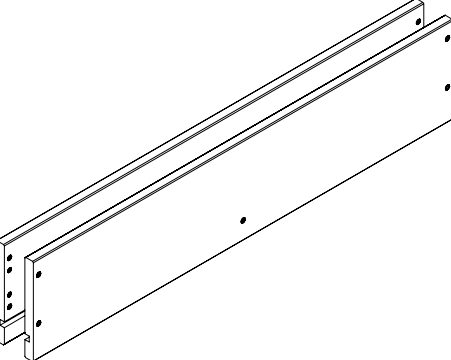
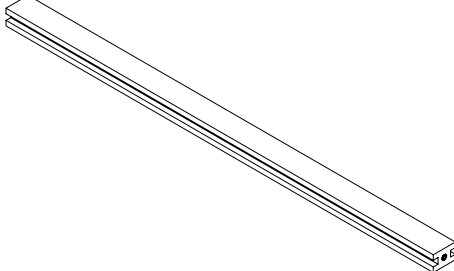
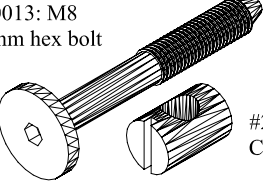
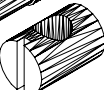
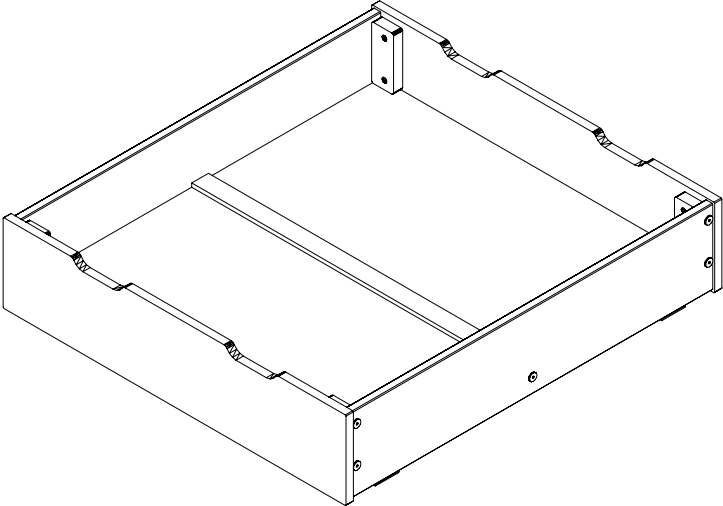
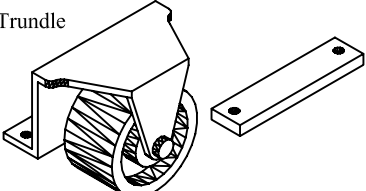
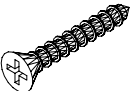
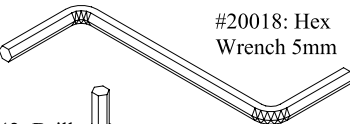



ASSEMBLY INSTRUCTION

#1600

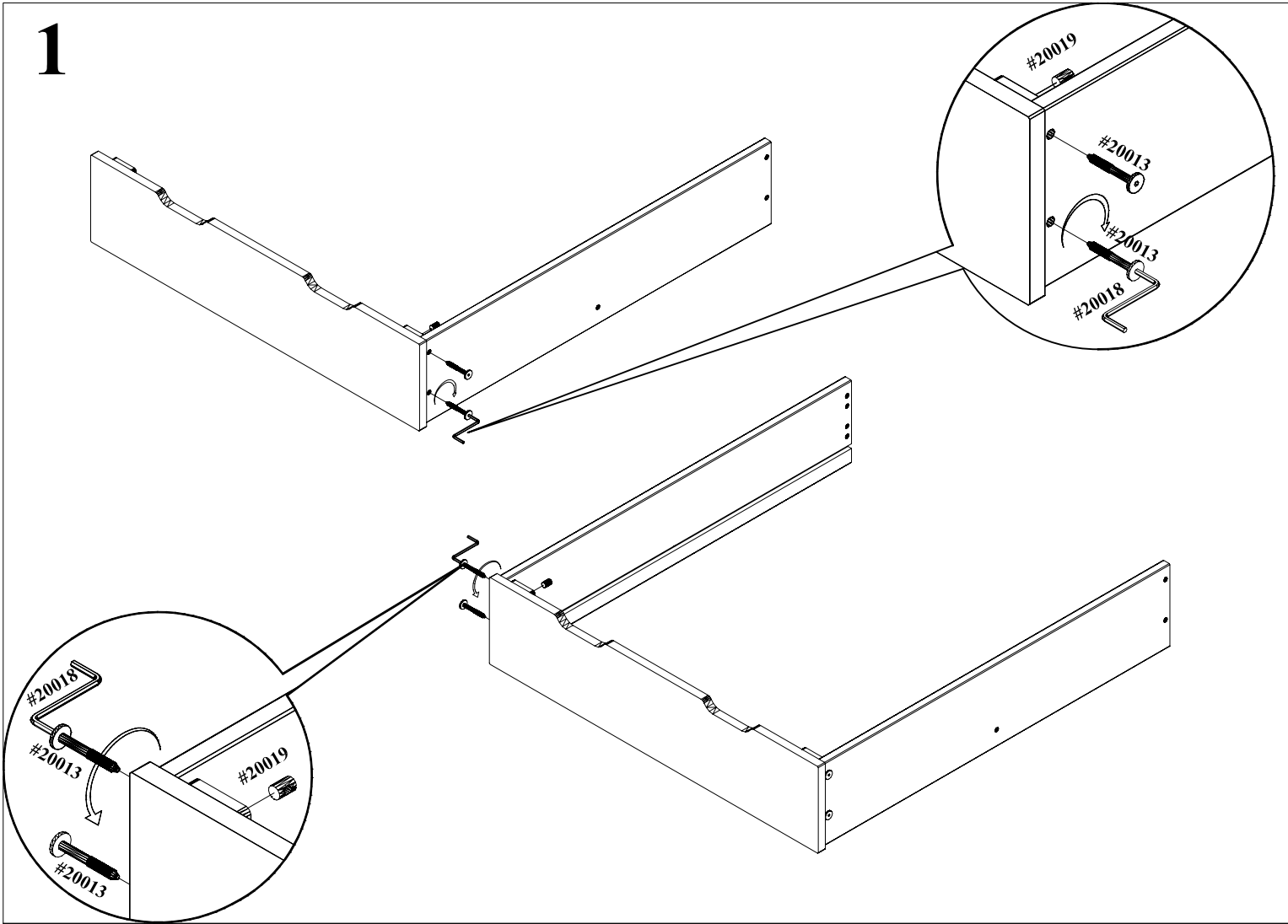
Maxwood Furniture Inc.

WWW.MAXTRIXKIDS.COM

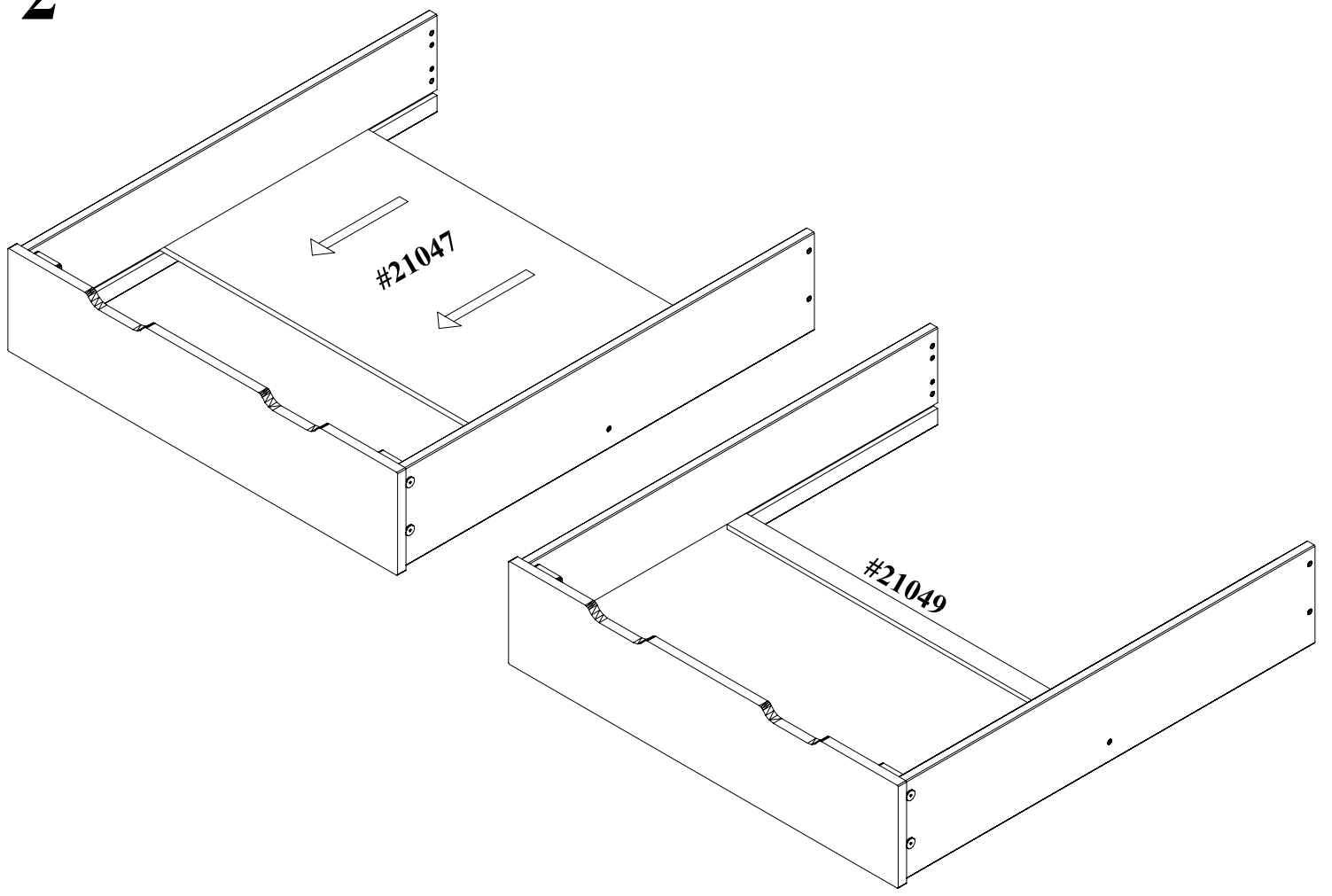
<p>#21046: Drawer front panel</p> 	<p>2 x #21046</p>	<p>#21047: Storage drawer bottom</p> 	<p>2 x #21047</p>
<p>#21048: Storage drawer side</p> 	<p>2 x #21048</p>	<p>#21049: Storage drawer center bar</p> 	<p>1 x #21049</p>
<p>#20013: M8 60mm hex bolt</p>  <p>#20019: M8 Cross dowel</p> 	<p>10 x #20013 10 x #20019</p>		
<p>#20005: Trundle wheel</p> 	<p>4 x #20005</p>		
<p>#20022: Wood Screw</p> 	<p>8 x #20022</p>		
<p>#20018: Hex Wrench 5mm</p>  <p>#20042: Drill Bit</p> 	<p>1 x #20018 1 x #20042</p>		

675 E. WASHINGTON AVE BRIDGEPORT CT 06608

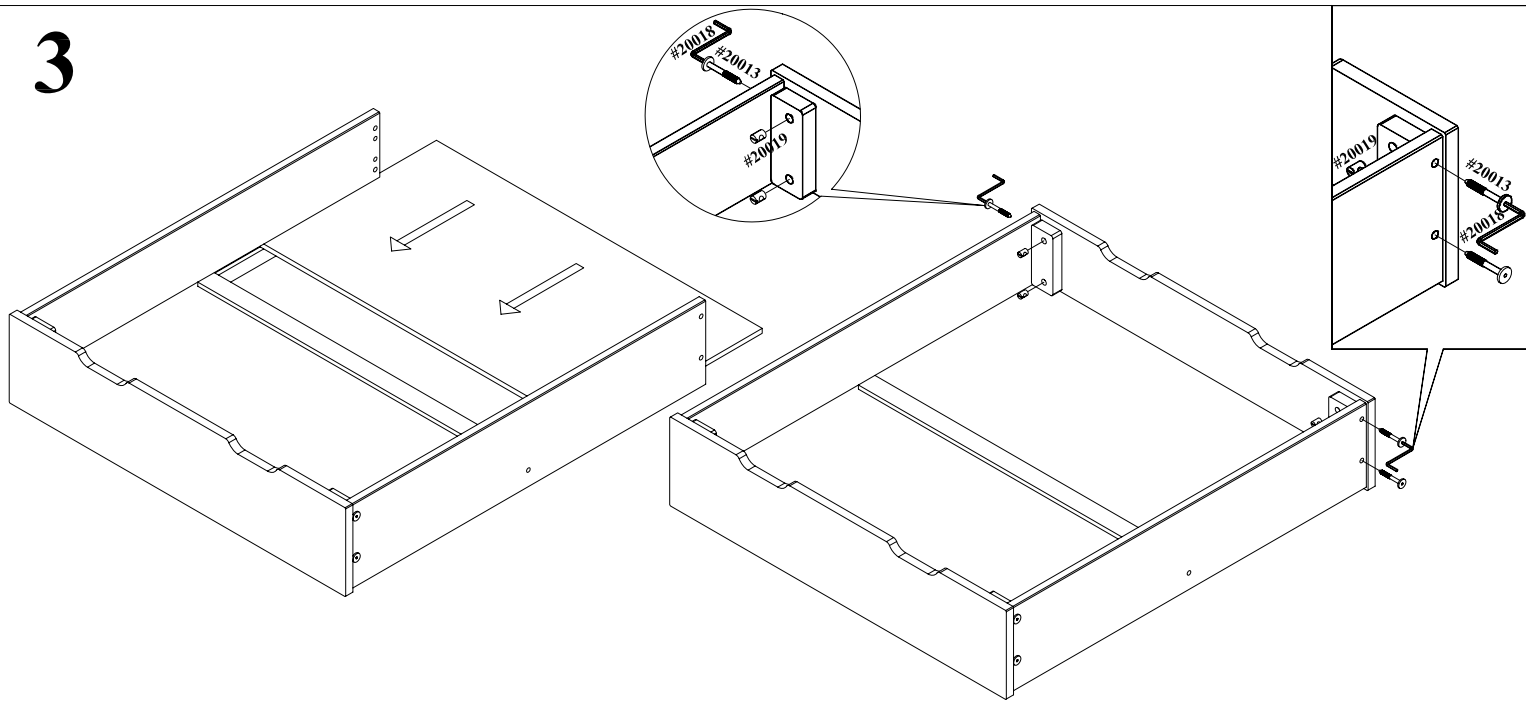
1



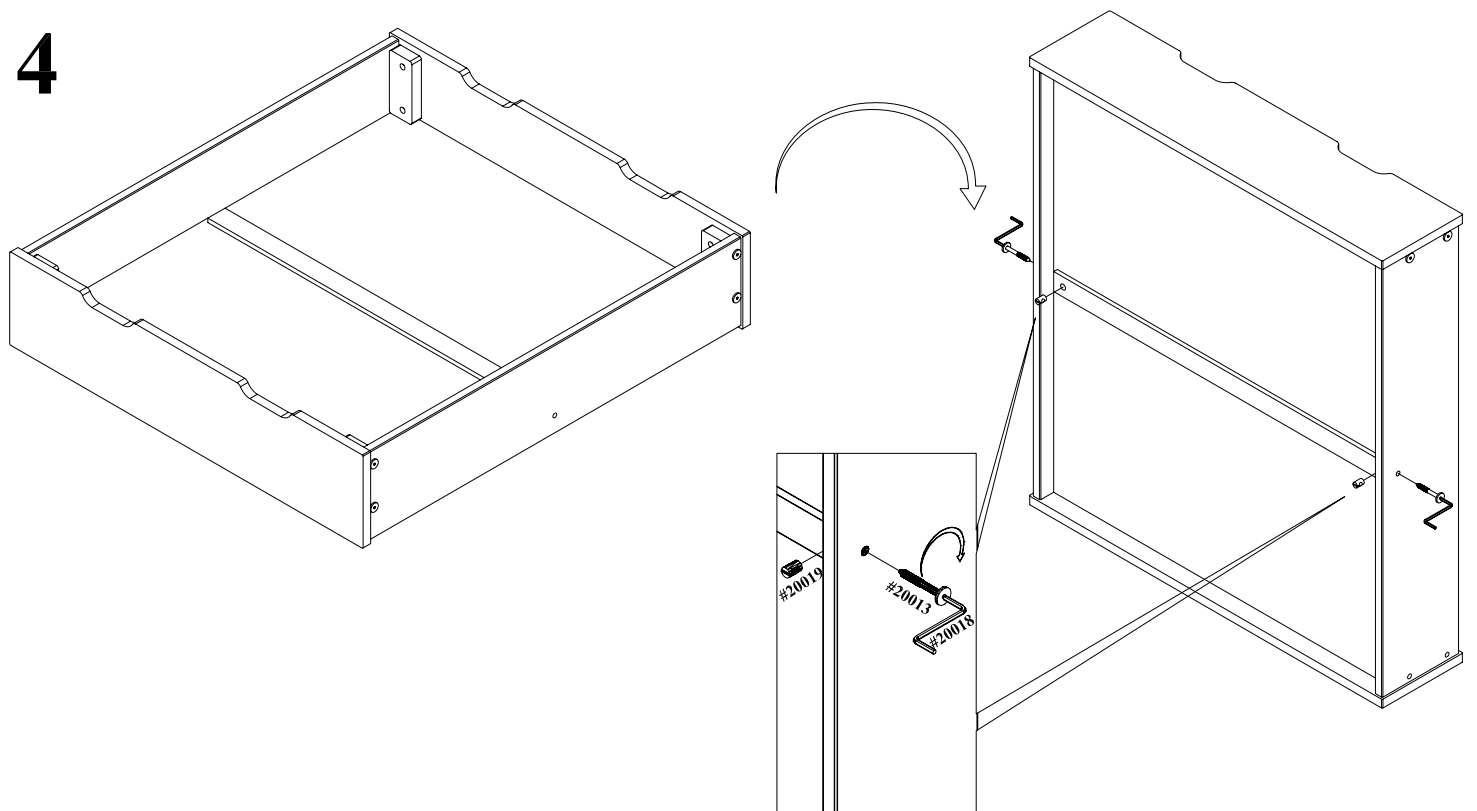
2



3



4



5

