

This Data Sheet Includes Information On

**Marvel**

• **Product Model Number (s):**  
 Chateau Collection Wine and Beverage Refrigerators  
 with Designer Overlay Frame Glass Door:  
 66SBWE-BD

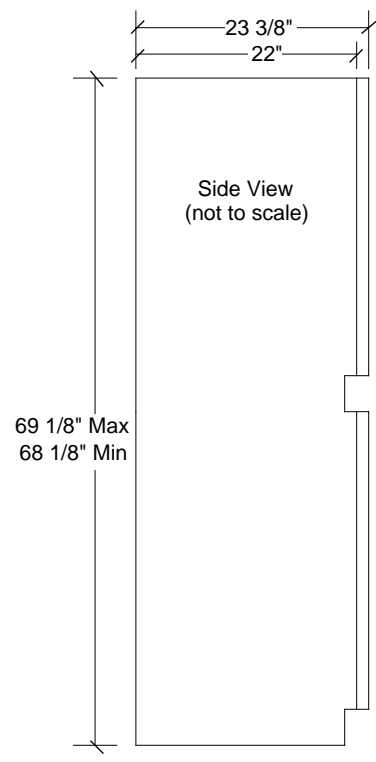
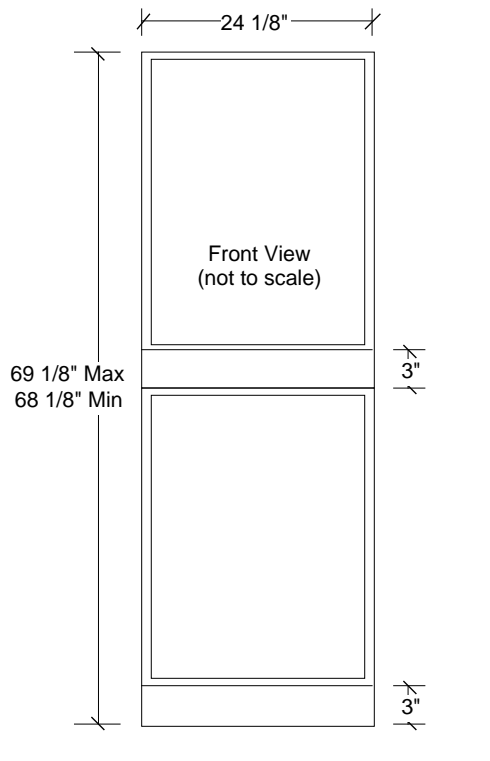
• **Dimensions (Actual Size)**

- Overall depth NOT including panel or handle: 23 3/8"
- Depth NOT including door: 22"
- Height at full leg adjustment: 69 1/8"
- Height at 0" leg adjustment: 68 3/8"
- Height without legs installed: 68 1/8"
- Width: 24 1/8"
- Toe Kick height: 3"
- Door swing at 90°: 25 1/2"
- Recommended opening width: 24 1/4"
- Recommended opening depth: 24"
- Recommended opening height: 68 3/4"

• **Additional Information**

- Electrical requirements: 120 volts, 6 amps running max. 20 amp circuit required.
- Locate a 3-prong grounded receptacle in one of three locations: 1) On the wall in the adjacent cabinet opening. 2) Flush on the back wall of the refrigerator opening (add 1" to the overall depth of the unit to accommodate the thickness of the plug). 3) Recessed 1" into the back wall of the refrigerator opening.
- 66SBWE-BD: Beverage refrigerator upper/Wine cellar lower: Black cabinet, overlay frame glass doors. **REQUIRES 2 DOOR PANELS.**
- All models have shelf fronts of clear, solid maple (unfinished).
- Accepts custom frame. Custom frame and handle must be supplied by customer, see page 2.

See pages 2 for additional information



Subject to change without notice. This system is designed to be updated daily if necessary. Dimension Express is not responsible for use of superseded, voided, or outdated data sheets. Because of the difficulty or impracticability of determining actual damages, liability of Dimension Express shall not exceed \$50.00.

• NEVER reuse Data Sheets. Data Sheets are subject to change without notice. Dimension Express is a FREE service bureau and is updated daily, it makes far more sense to spend the time necessary to request new Data Sheets for each project, as opposed to the problems, time, costs, and risks associated with reusing old Data Sheets.

• Call Dimension Express if you have any questions at (800) 940-2059 •  
 • Always refer to a current Code at a Glance or manufacturer directory •  
 • Data Sheet codes change on the first of each quarter at 12:01am •

Chateau Collection Wine and Beverage Refrigerators  
with Designer Overlay Frame Glass Door:  
66SBWE-BD

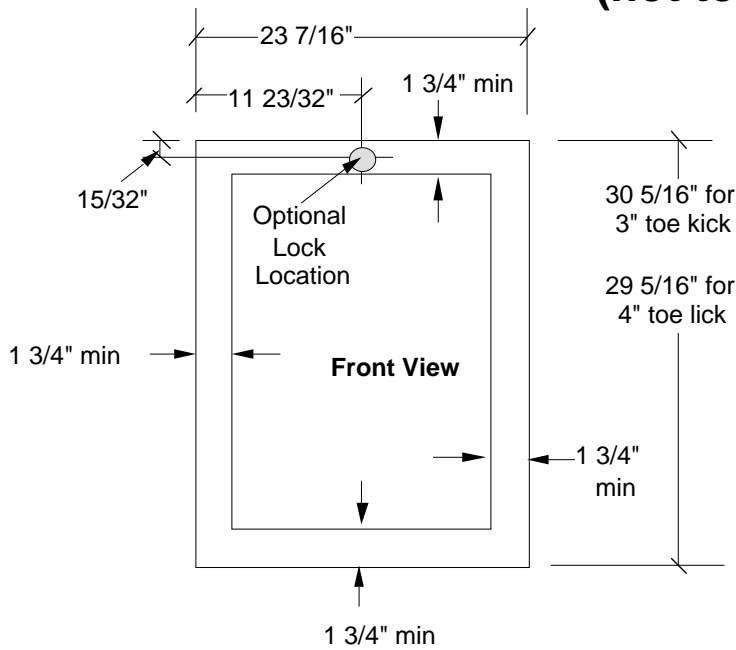
**Additional Information:**

- Individual cooling systems and temperature controls for each compartment.
- Controls and digital temperature displays easily in center grille.
- Door is reversible in field.
- Door lock (when -LL, left hand hinge or -LR, right hand hinge is added to the model number), top center of door.
- Wine racks and beverage shelves may be fully extended at 90° door opening.
- Shipping weight: 356 pounds.
- U.L. Listed.

**Accessories:**

- Marvel Shelf Front Kits for Beverage Refrigerator: Prefinished shelf fronts (4).
  - Gloss black: P/N 42245191
  - Gloss white: P/N 42245192
  - Stainless steel: P/N 42245193
  - Natural maple (unfinished): P/N 42245194
- Marvel Shelf Front Kits for Wine Cellar: Prefinished shelf fronts (6) and wine cradle rack (1).
  - Gloss black: P/N 42245058
  - Gloss white: P/N 42245059
  - Stainless steel: P/N 42245060
  - Natural maple (unfinished): P/N 42245061

**Custom Overlay Glass Door Frame Dimensions  
(not to scale)**



For doors with locks installed (-LR or -LL included in model number). It will be necessary to drill a hole in the overlay door frame, corresponding to the lock location, prior to assembly. Hole diameter through overlay frame should be 15/32" with a 13/16" counterbore from back side of panel, 7/16" deep.

Min. thickness of rails and stiles: 5/8"  
Max. thickness of rails and stiles: 3/4"

Subject to change without notice. This system is designed to be updated daily if necessary. Dimension Express is not responsible for use of superseded, voided, or outdated data sheets. Because of the difficulty or impracticability of determining actual damages, liability of Dimension Express shall not exceed \$50.00. Copyright © Dimension Express, 2007.

• NEVER reuse Data Sheets. Data Sheets are subject to change without notice. Dimension Express is a FREE service bureau and is updated daily, it makes far more sense to spend the time necessary to request new Data Sheets for each project, as opposed to the problems, time, costs, and risks associated with reusing old Data Sheets.

- Call Dimension Express if you have any questions at (800) 940-2059 •
- Always refer to a current Code at a Glance or manufacturer directory •
- Data Sheet codes change on the first of each quarter at 12:01am •