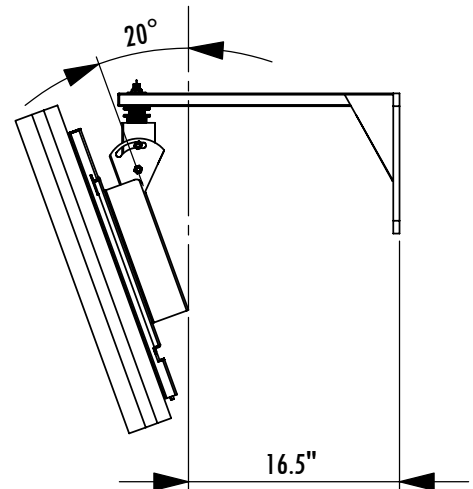
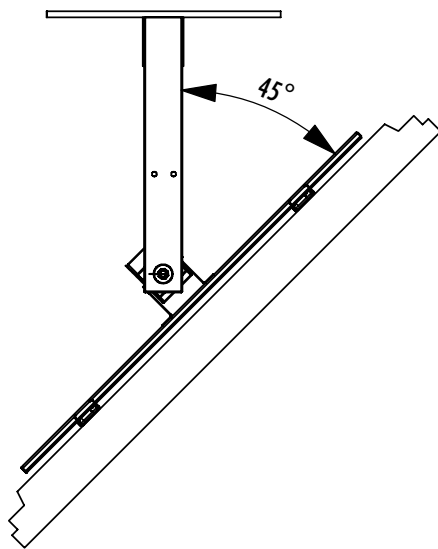
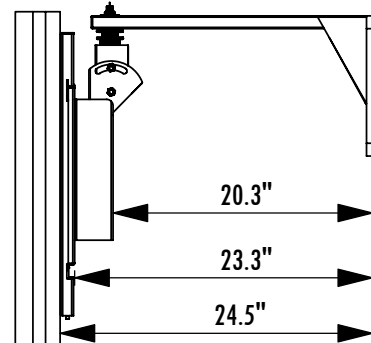
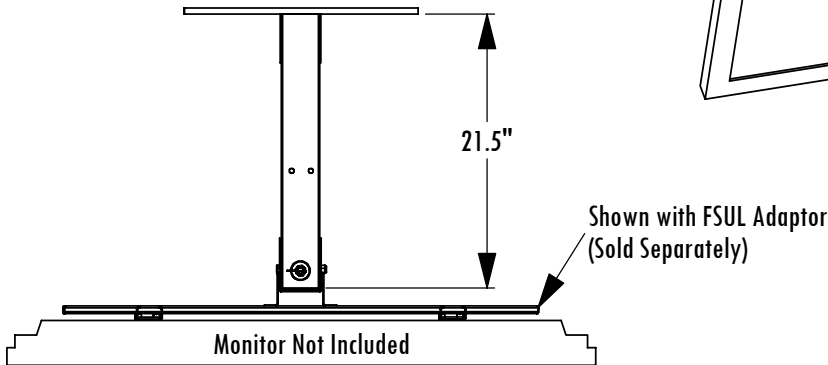
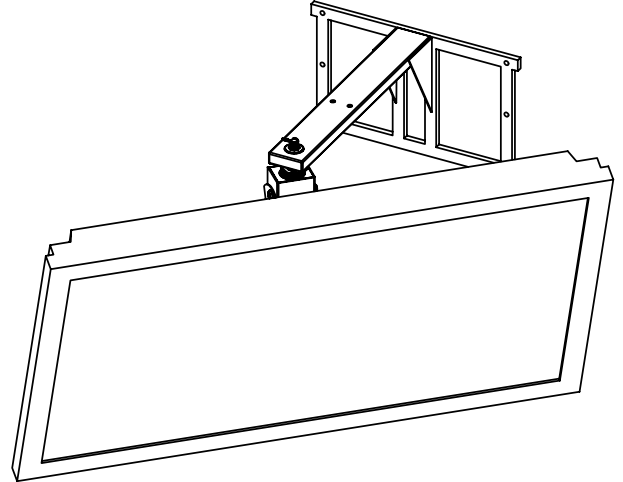


FSDSCT20 Double Stud Flat Screen Wall Mount Dimensions

Model	Load Limit (lbs.)	Swivel	Tilt	Projection from Wall	Ship. Wt. (lbs.)
FSDSCT20	125	360°	0-20°	24-1/2"	35



Maximum pivot and tilt may be limited by monitor size.

1-800-LUCASEY • 1-510-534-1435

©2006 Lucasey Manufacturing Corporation, Oakland, California

