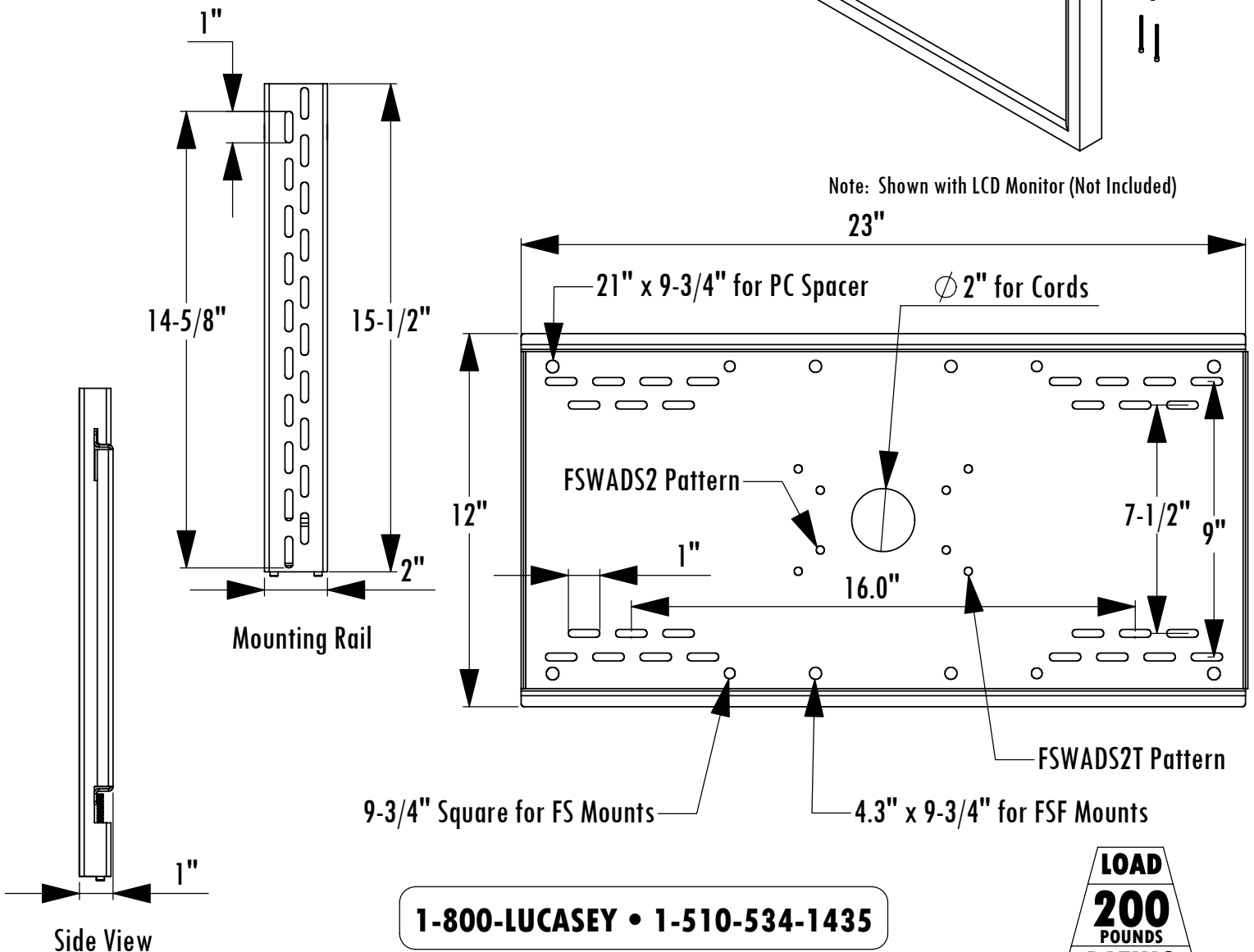
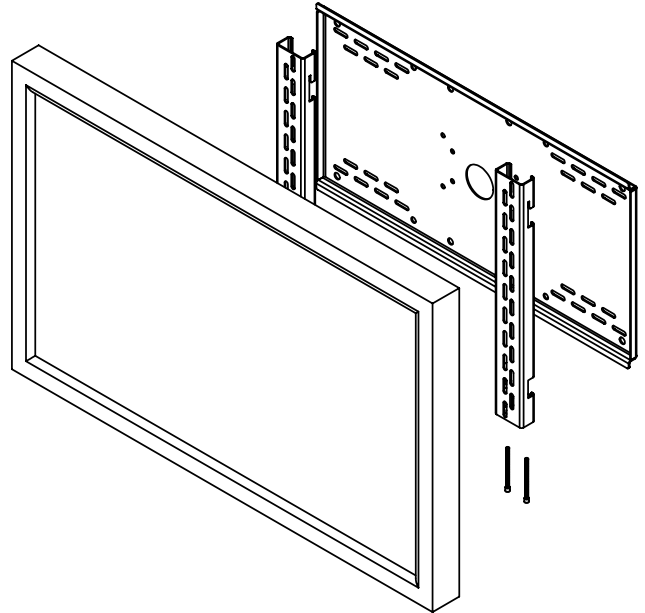


# FSUL2014 Dimensions

## Universal Flat Screen Landscape Adaptor

Model	Load Limit (lbs.)	Swivel	Tilt	Projection	Mounts to Boss Patterns	Ship. Wt. (lbs.)
<b>FSUL2014</b>	200	0	0	1"	20"Wx14"T	14



**1-800-LUCASEY • 1-510-534-1435**

©2007 Lucasey Manufacturing Corporation, Oakland, California

