



Weblink
118

AC Martin Partners. Los Angeles, California, USA. Architect: AC Martin Partners.
Photo: Thomas Loof Photography

Design
Jens Møller-Jensen

Concept
Orbiter Micro Pendant creates distinct and sparkling illumination. The design of the reflector ring ensures the majority of the light is directed downward. The anti-glare ring shields the lamp from direct view.

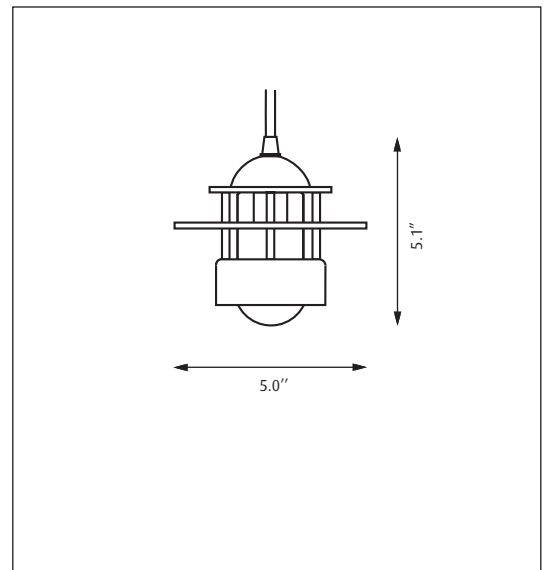
Finish
White, powder coated.

Material
Enclosure: Clear glass. Saturn ring: Die cut steel. Anti-glare ring: Spun steel. Top: Die cast aluminum.

Mounting
Canopy: White. Cord type: 3-conductor, 18 AWG white PVC power cord. Cord length: 12'.

Weight
Max. 2 lbs.

Label
cUL, Dry location. IBEW.



Product code	Light source	Voltage	Finish
ORP-MIC	1/60W/Halogen/T-4 G9	120V	WHT

Info notes:
I. The comparable EU version has the following classification: Ingress Protection Code: IP20.



146



145



59



202



200



196



198



199



84



86



166