



Jacobsen Restaurant, Bellevue, Denmark. Photo: Planet

#### Weblink

127

#### Design

Arne Jacobsen

#### Concept

AJ Floor creates direct and angled illumination. The lighting characteristics make it suitable when placed in a situation where distinct and directed illumination is required.

#### Finish

White, graphite grey or black, wet painted.

#### Material

Base: Die cast zinc. Shade: Spun steel. Stem: Steel.

#### Mounting

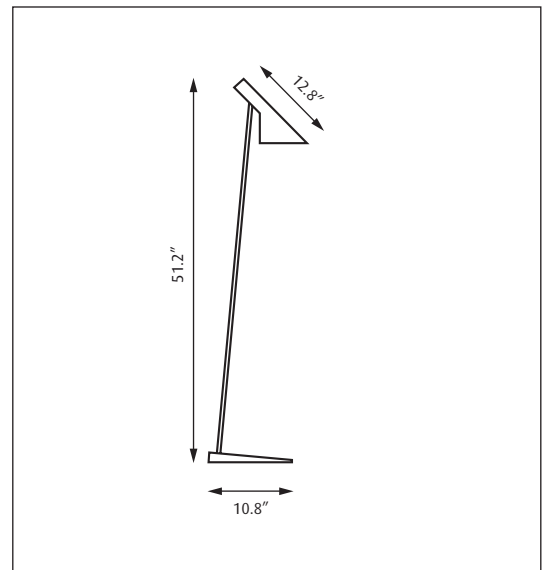
Cord type: Black. Cord length: 9'. Switch: In-line on/off foot switch provided.

#### Weight

Max. 8 lbs.

#### Label

cUL, Dry location. IBEW.



Product code	Light source	Voltage	Finish
AJ-F	1/60W/A-19/IF medium	120V	BLK GRP GREY WHT

#### Info notes:

I. The comparable EU version has the following classification: Ingress Protection Code: IP20.

