

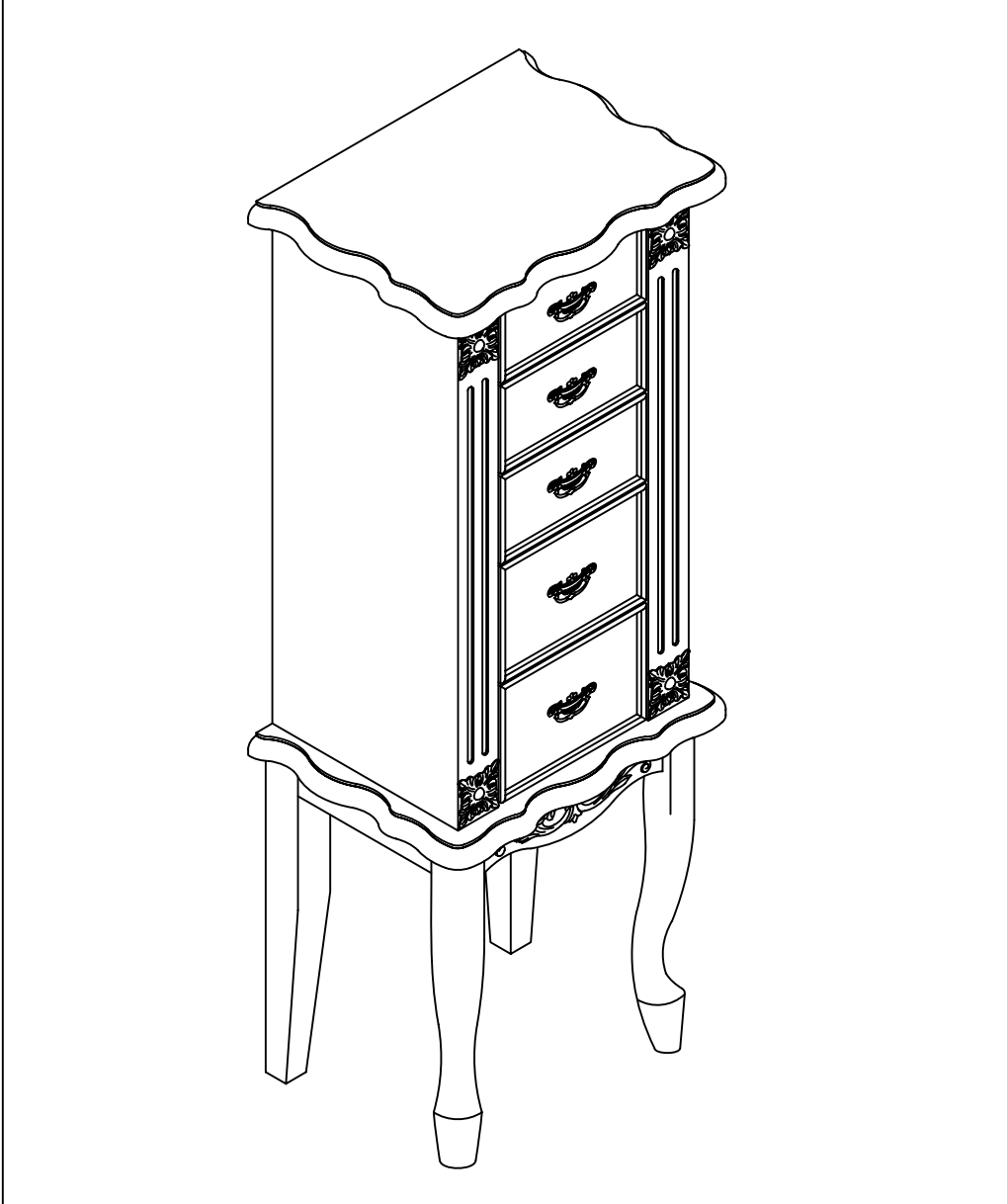


LINON HOME DECOR PRODUCTS, INC.

ASSEMBLY INSTRUCTIONS

55000CHY-01-KD CHERRY JEWELRY ARMOIRE

55000OAK-01-KD OAK JEWELRY ARMOIRE



We are here to help!

We try to insure that your furniture arrives in excellent condition.

Our customer service representatives are ready to help you with quick, efficient service if a part is damaged or missing and if you have questions or require assembly assistance.

To avoid any inconvenience, please call Linon Customer Service prior to returning the item to the store.

Our office is open Monday - Friday 9:00 AM to 5:00 PM, Eastern Standard Time.

Toll free number : 1 - 800 - 262 - 1852 Customer Service

Fax : (516) 699-1001

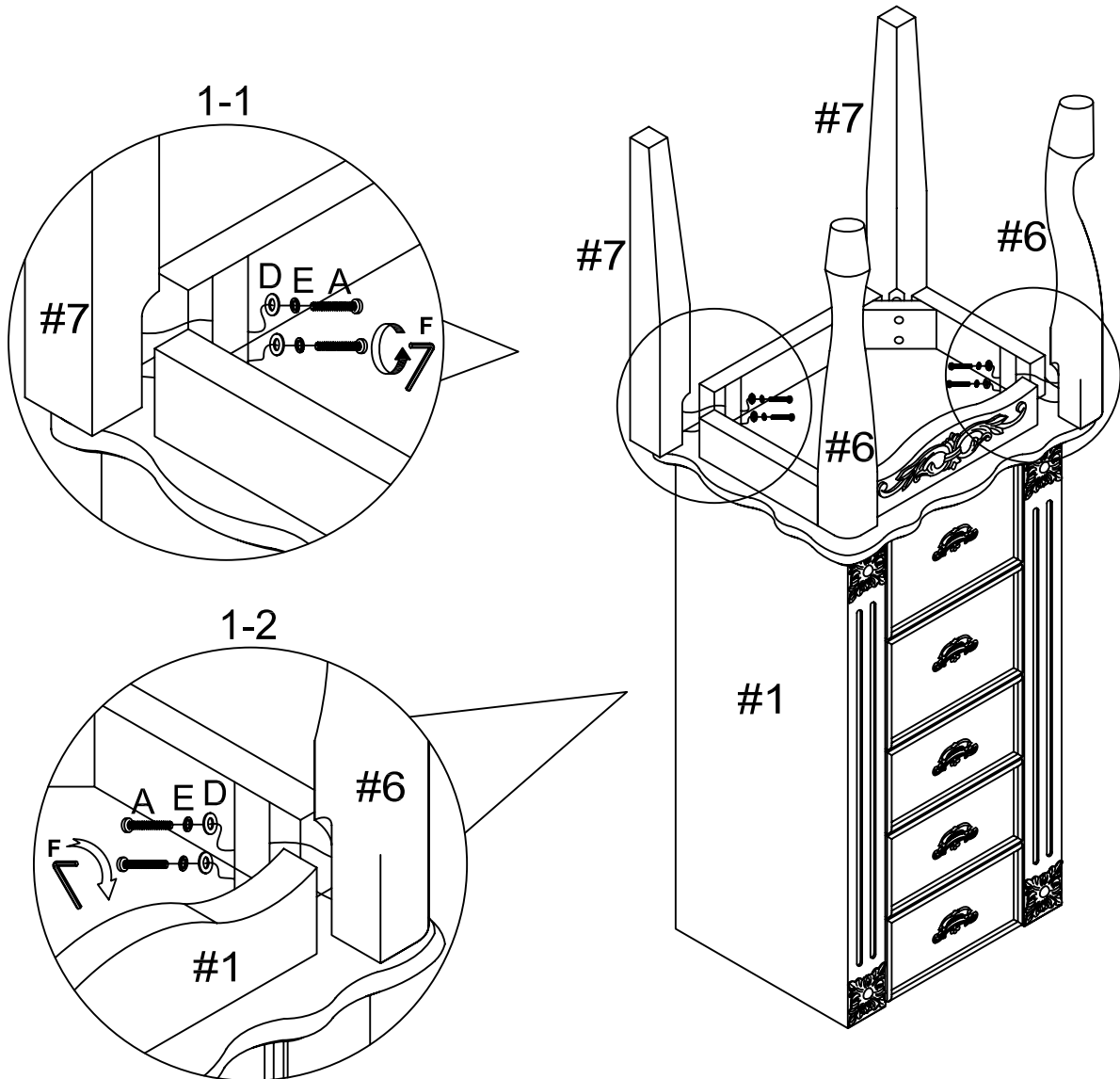
Telephone : (516) 699 - 1000

For care instructions on your newly purchased furniture, please visit our web site www.linon.com



LINON HOME DECOR PRODUCTS, INC.

STEP 1.

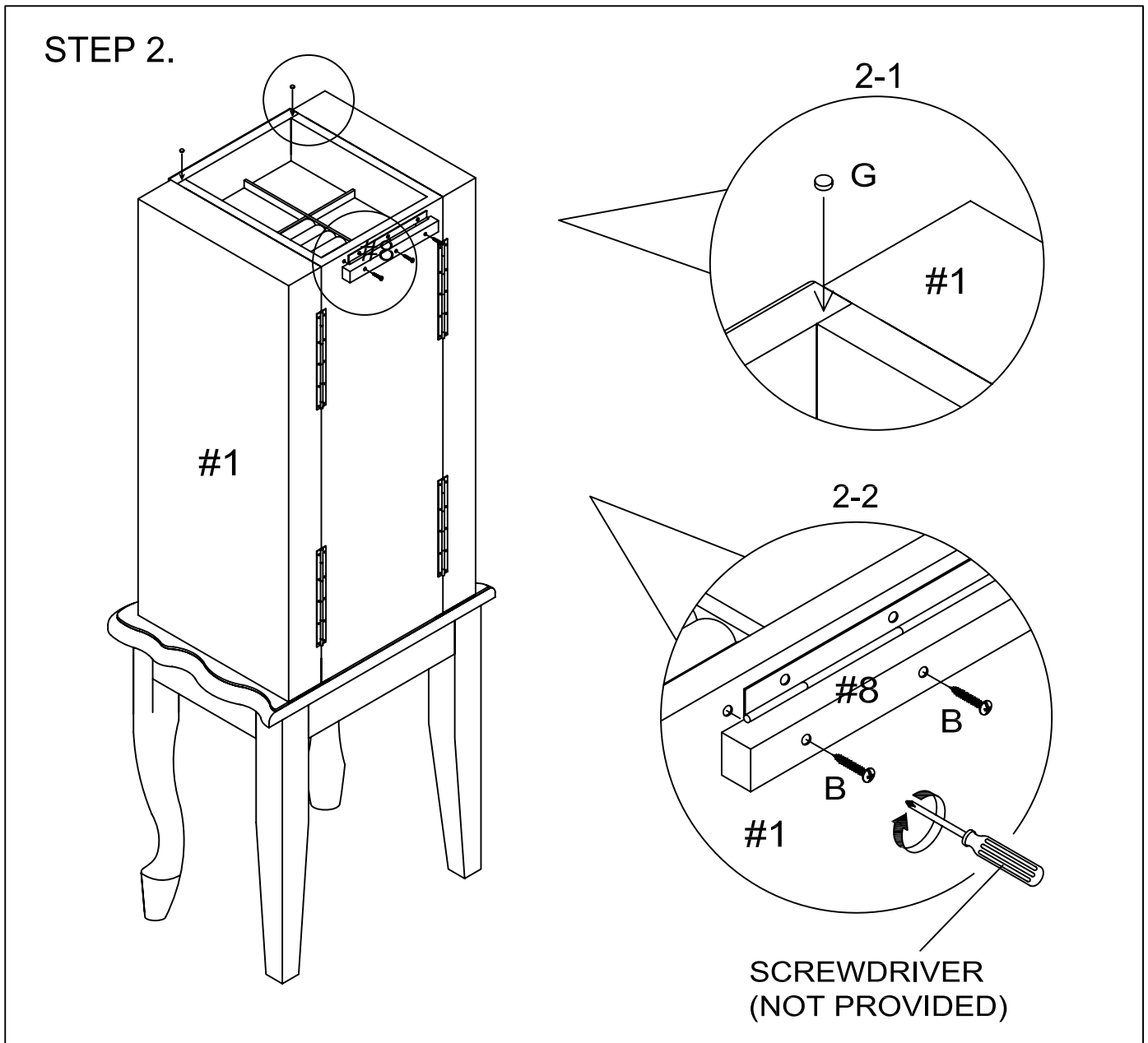


Place the unit upside down on a flat surface using the cardboard box if necessary to avoid damage to the unit.

- 1-1. Attach 2 back legs (#7) to the Armoire Cabinet (#1) using 2 washers (D), 2 Lock Washers (E), and 2 JCB Screws (A) for each leg. Tighten using Allen Key (F).
- 1-2. Attach 2 front legs (#6) to the Armoire Cabinet (#1) using 2 washers (D), 2 Lock Washers (E), and 2 JCB Screws (A) for each leg. Tighten using Allen Key (F).



LINON HOME DECOR PRODUCTS, INC.



Turn the Armoire Cabinet (#1) right side up so that the legs are firmly on the ground.

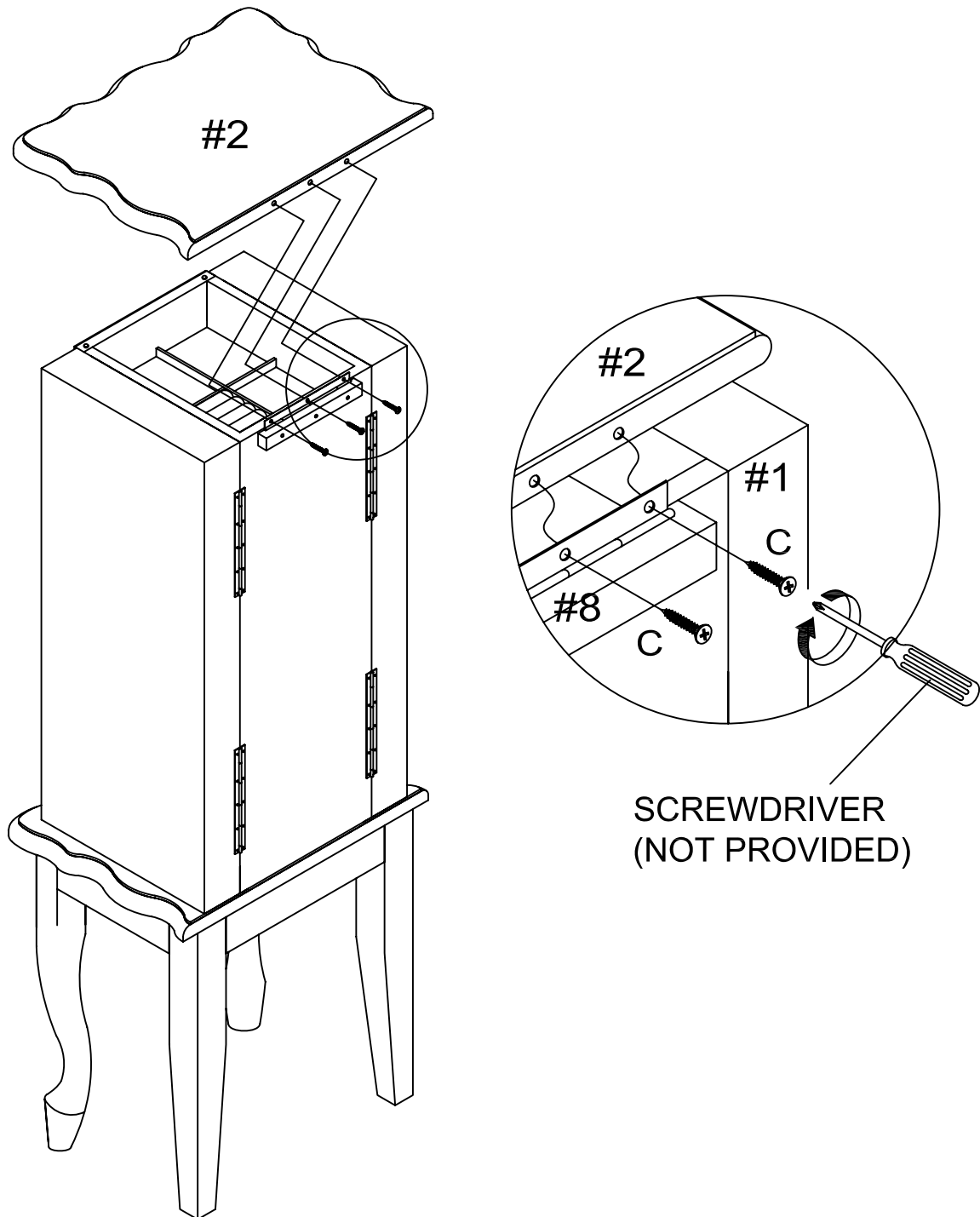
2-1. Place both Foam Pads (G) on the Armoire Cabinet (#1) as shown in diagram 2-1.

2-2. Attach the Wood Support with Hinge (#8) to the back of the Armoire Cabinet (#1) using three wood screws (B) as shown in diagram 2-2. Tighten all three screws using a screwdriver (not provided) as shown in diagram 2-2.



LINON HOME DECOR PRODUCTS, INC.

STEP 3.



Attach the Top (#2) to the Hinge on the Wood Support (#8) on the Armoire Cabinet (#1) using three Wood Screws (C). Secure Top (#2) in place using a screwdriver (not provided) to tighten screws.

