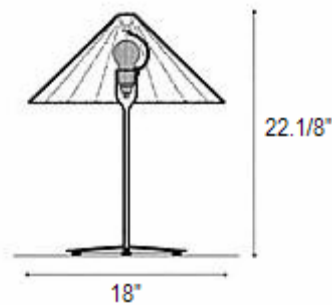


SARASAR TR

DESIGN ROBERTO PAMIO- RENATO TOSO



- DESCRIPTION:** Table lamp providing downward and diffused light through translucent beaded glass shade creating unique lighting patterns on adjacent surfaces. Companion table and pendant versions also available.
- CONSTRUCTION:** Thousands of small handmade glass beads hand sewn together, held by a light metal structure, form glass diffuser connected to baked enamel die-cast, round base and matching stem.
- LIGHT SOURCE:** 1 x 100 watt, incandescent, A-19 clear (provided).
- FINISH:** Metallic Beige, Metallic Charcoal Grey.
- GLASS COLOR:** Opaline with black trim or Gold with black trim
- NET WEIGHT:** 9 lbs.

Leucos USA, Inc.
11 Mayfield Avenue
Edison, NJ 08837
Tel: 732-225-0010
Fax: 732-225-0250
www.leucos.com