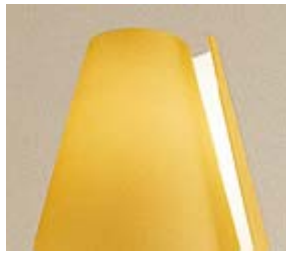


LINDA P wall

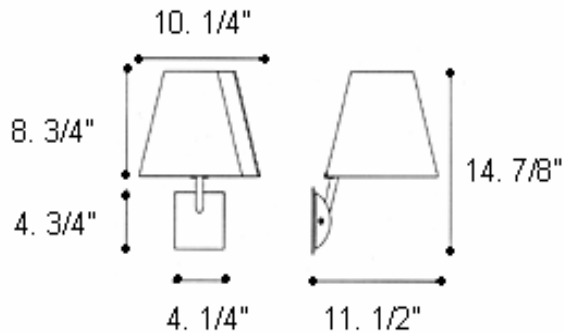
Design Robert Pamio



SATIN AMBER



SATIN WHITE



DESCRIPTION: A wrapped hand blown glass shade highlights this wall sconce. The incandescent light source provides upward, downward and diffused illumination.

Companion table and floor designs available.

CONSTRUCTION: A brushed aluminum back plate and support details hold the cut, curved glass shade in place. Mounts to a standard 4" octagonal junction box.

LIGHT SOURCE: 1 x 100 watt, incandescent, A-19, medium base (provided)

FINISHES: Brushed Nickel back plate and details

GLASS COLOR: Satin White
Satin Amber

NET WEIGHT: 10 lbs.

Leucos USA, Inc.
11 Mayfield Avenue
Edison, NJ 08837
Tel: 732-225-0010
Fax: 732-225-0250
www.leucos.com