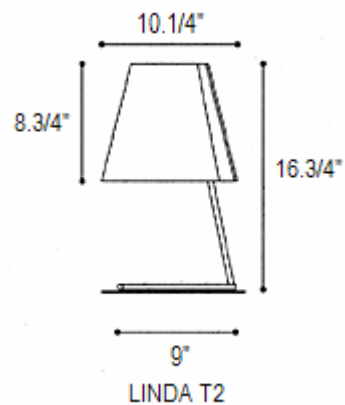
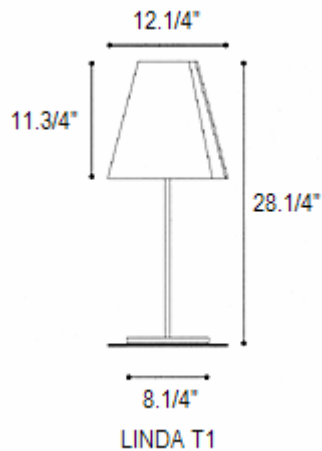


## LINDA T1-T2

Design ROBERTO PAMIO



**DESCRIPTION:** A wrapped hand blown glass shade sits atop 2 base styles and provides diffused illumination from an incandescent light source. Companion floor and wall versions also available.

**CONSTRUCTION:** The glass diffuser, which is sliced to reveal the innermost white layer of glass, is supported by a brushed nickel base. An on/off switch is provided on the black cord.

**LIGHT SOURCE:** Linda T1: 1 x 100 watt, A-19, medium base (provided)  
Linda T2: 1 x 60 watt, A-19, medium base (provided)

**FINISHES:** Base and support details: Brushed Nickel

**GLASS COLOR:** Satin White or Satin Amber

**NET WEIGHT:** Linda T1: 25 lbs.  
Linda T2: 18 lbs.

**Leucos USA, Inc.**  
11 Mayfield Avenue  
Edison, NJ 08837  
Tel: 732-225-0010  
Fax: 732-225-0250  
[www.leucos.com](http://www.leucos.com)