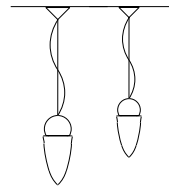


LEUCOS® USA

INSTALLATION INSTRUCTIONS

GOCCIA S1 - GOCCIA S2



A1 Enclosed



One installer



Save instructions

Revised
25 - NOV. - 2002

Warning:

- Disconnect power before installation.
- Install in accordance with the national and local electrical codes.
- Follow directions carefully to avoid scratching the glass diffuser.

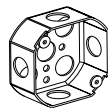
- ILL. 1 Attach the metal canopy "A" to the junction -box.
- ILL. 1 Guide the electrical wires "B" and the steel cable through the spherical diffuser "S" as shown.
- ILL. 1-2 Continue to pass the electrical wires through the rubber rings "Z" and in one of the 2 lateral holes "F" of the metal cone and the steel wire through the central hole of the same one "B".
PLEASE NOTE: IN ORDER TO PASS THE ELECTRICAL WIRES THROUGH THE CANOPY, IT IS NECESSARY TO PUNCH A HOLE WITH A SCREWDRIVER INSIDE THE CANOPY "B".
- ILL. 3 Slightly loosen the fitting "S". Pass the steel cable through the central hole of the fitting "S". This fitting is pressured fit. In order to un lock the steel cable push the fitting toward the top. Having determined the correct height of the fixture, secure the steel cable by screwing the fitting "S". In order to properly secure the steel cable , we suggest passing the steel cable through the fitting "J". Clamp the cable with the two fitting "J" screws.
- ILL.3 Connect the fixture's electrical wires supply wire connectors of the proper size leaving excess wire for decorative "swag" below canopy "B" if desired.
TAKE CARE to guide the lamp wire trough the plastic clamp "X" and secure it tightening the side plastic screw.
- ILL.2 Slide the canopy "B" up to rest against the ceiling and secure it in position with set screw "H". **PLEASE NOTE: USE THE ALLEN WRENCH PROVIDED INSIDE THE CANOPY,**
- Center rubber ring "Z" on the steel cable and fit the lectric wire into the appropriate slots.
- ILL.1-4 Place bulb into socket and close up arms "L" then insert it into glass diffuser "C" as shown.
- ILL.4 Lower down arms "L" inside the diffuser then lean the diffuser on it.
- ILL.5 Replace the spherical diffuser "S" onto the glass collar "C".
- Adjust balancing of the diffuser by mooving inside tripod "L" untill having the correct position.
- Restore power.

FOR U.S.A. MARKET ONLY:

GOCCIA S2 max 1x100W - 120V E26 Type A

GOCCIA S1 max 1x60W - 120 V E26 Type A

FOR USA MARKET ONLY

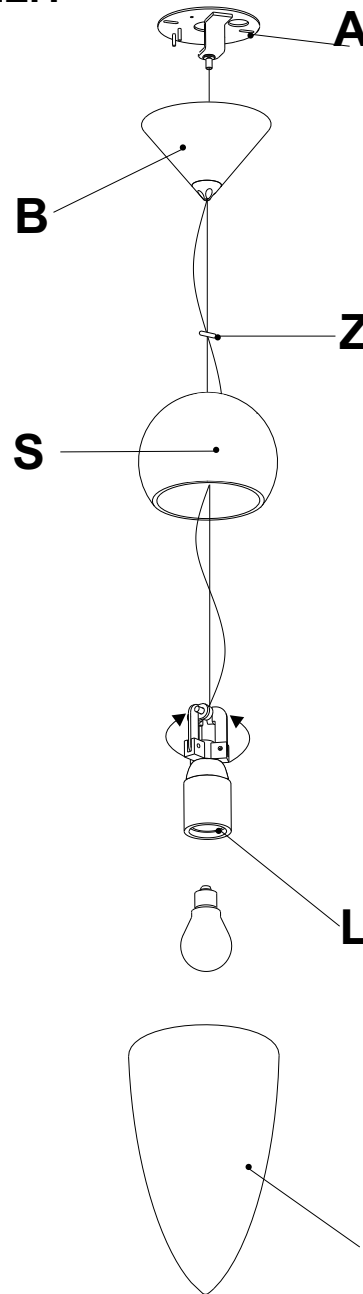


CIRCUIT DIAGRAM:
 WHITE NEUTRAL
 BLACK PHASE
 GREEN-YELLOW BARE COPPER WIRE Ground

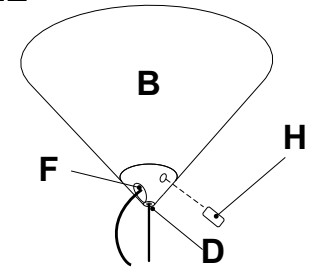
MOUNTS TO STANDARD IUNCTION BOX

For additional information please contact your local dealer or
LEUCOS USA at: tel. (732) 225-0010 - fax (732) 225-0250

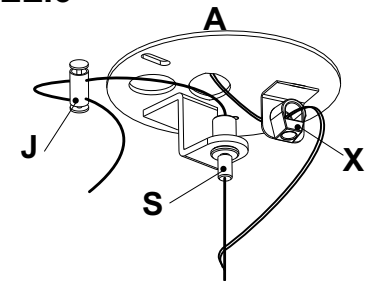
ILL.1



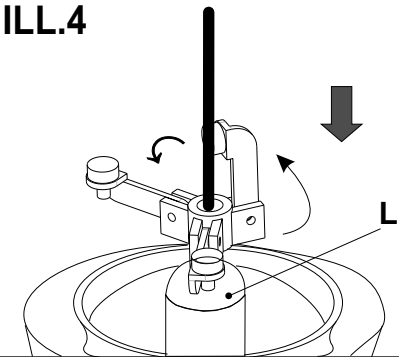
ILL.2



ILL.3



ILL.4



ILL.5

