

FLEXA PL ceiling

Design Danilo De Rossi



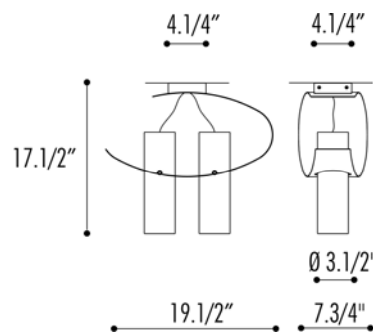
transparent crystal



transparent light blue



transparent green



DESCRIPTION: A curved stainless steel arc is pierced by two transparent glass cylinders to shape this ceiling design. Par lamps provide the downward illumination and the glass cylinders are available in 3 soft colors. Companion suspension and wall versions available.

CONSTRUCTION: The stainless steel curved frame is attached to a standard 4" junction box. The glass cylinders are inset into the frame.

LIGHT SOURCE: 2 x 50 watt Par 20, Incandescent (Provided)

FINISHES: Brushed Stainless Steel with polished chrome details

GLASS COLOR: Transparent Crystal
Pale Green
Light Blue

NET WEIGHT: 13 lbs.

Leucos USA, Inc.
11 Mayfield Avenue
Edison, NJ 08837
Tel: 732-225-0010
Fax: 732-225-0250
www.leucos.com