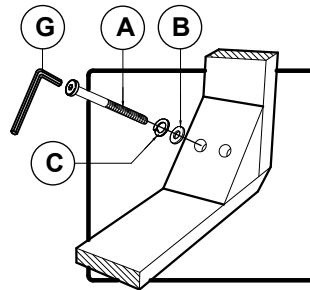
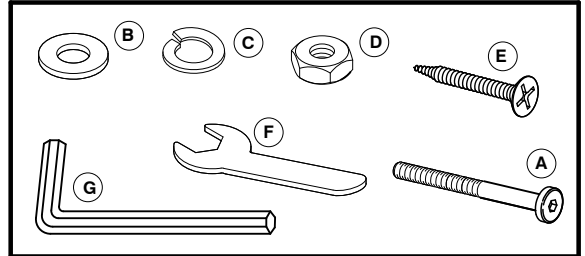


Hardware Kit (972-BS761KDP46)

NO.	Q.TY	DESCRIPTION
A	4 PCS.	K.D.SCREW
B	8 PCS.	FLAT WASHER
C	8 PCS.	LOCK WASHER
D	4 PCS.	NUT
E	6 PCS.	WOOD SCREW
F	1 PC.	KEY WRENCH
G	1 PC.	ALLEN WRENCH

Parts Key

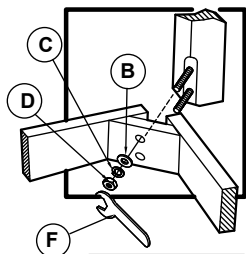
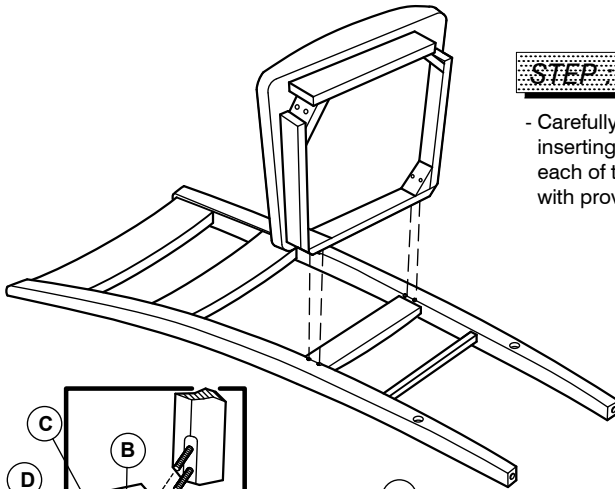
972-BS761KDP40	Chair Back
972-BS761KDP41	Complete Seat
972-BS761KDP42	Right Front Leg
972-BS761KDP43	Left Front Leg
972-BS761KDP44	Right Side Stretcher
972-BS761KDP45	Left Side Stretcher
972-BS761KDP49	Front Stretcher
972-BS761KDP01F	Floor Glide



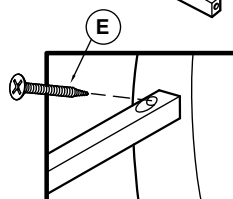
DETAIL A

STEP 1

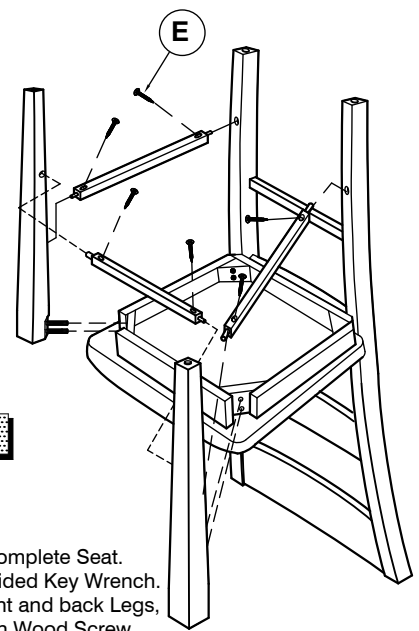
- Carefully lay Chair Back flat. Affix Complete Seat to Chair Back by inserting a Flat Washer, Lock Washer, and Long K.D.Screw into each of the 2 holes in the Complete Seat corners. Tighten screws with provided Allen Wrench (see Detail A).



DETAIL B



DETAIL C



STEP 2

- Carefully turn chair upside down and affix each Leg to the front corners of the Complete Seat. Place Flat Washer, Lock Washer, and Nut on each Bolt for each Leg, using provided Key Wrench. Do not tighten. (see detail B) Insert 2 side Stretchers into the holes between front and back Legs, and insert the Front Stretcher into the holes between the 2 front Legs; fasten with Wood Screw using Phillipshead screwdriver (not provided). (see Detail C) Be sure to tighten all screws prior to using chair.