

Assembly Instructions & Parts Identification

Model Name : 939-977KD

Prior to assembling, please read through the instructions carefully and verify that you have received all parts listed in key below. Remove all packing materials, including wrapping, staples, and straps. To prevent scratches during assembly, place all wooden pieces on a flat soft surface, such as a carpet or rug. Thank you for purchasing this quality piece of furniture. Please handle with care, as small parts may have come loose during shipment.

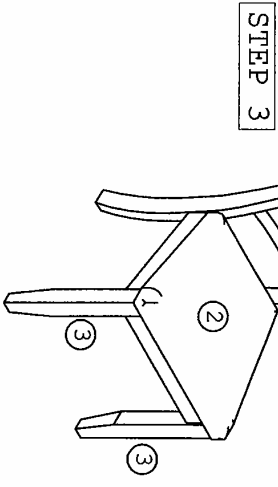
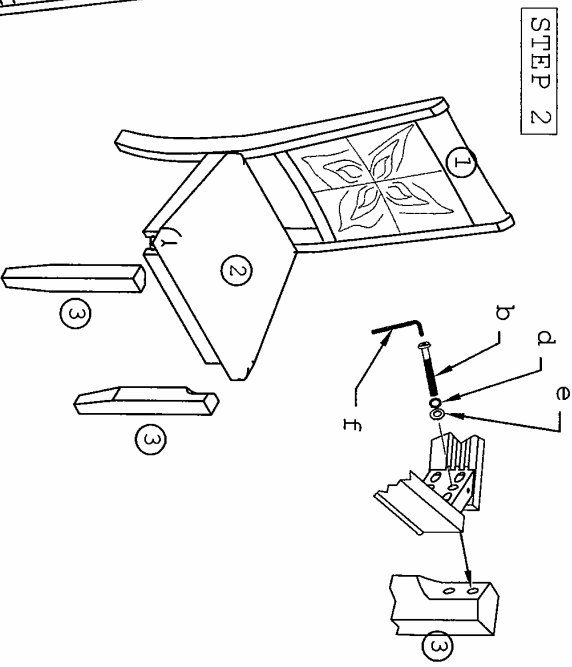
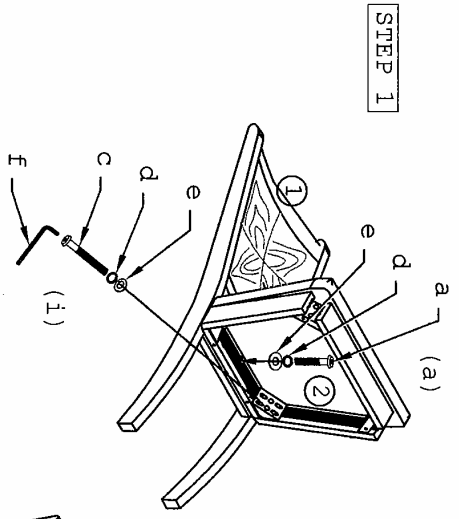
CAUTION: DO NOT FULLY TIGHTEN NUTS AND BOLTS UNTIL ALL ARE IN PLACE. DO NOT OVER-TIGHTEN NUTS AND BOLTS, AS IT MAY CAUSE THREAD DAMAGE. KEEP ALL SMALL PIECES OUT OF REACH OF CHILDREN.

PART LIST

NO	PART NO	DESCRIPTION	QTY
①	939-977KDP40	CHAIR BACK	1 PC
②	939-977KDP41	SEAT	1 PC
③	939-977KDP42	FRONT LEG	2 PCS

HARDWARE LIST

NO	PART NO	DESCRIPTION	FIGURE	QTY
a	939-977KDP46	SHORT JCBC BOLT 32MM		3 PCS
b		MEDIUM JCBC BOLT TOMI		4 PCS
c		LONG JCBC BOLT 75MM		4 PCS
d		SPRING WASHER		11 PCS
e		FLAT WASHER		11 PCS
f		ALLEN KEY		1 PC



STEP 1
 CAREFULLY LAY CHAIR BACK FLAT ON A SOFT SURFACE AND AFFIX COMPLETE SEAT TO CHAIR BACK.
 (a) BY USING SHORT JCBC BOLT TOGETHER WITH SPRING WASHER AND FLAT WASHER ON THREE HOLES. SCREW LOOSELY USING ALLEN KEY.
 (b) THEN USE LONG JCBC BOLT TOGETHER WITH SPRING WASHER AND FLAT WASHER ON LEFT AND RIGHT.
 * TIGHTENING THE BOLTS AT THIS POINT IS NOT ADVISED *

STEP 2
 PLACE THE FRONT LEG INTO PLACE. ATTACH MEDIUM JCBC BOLT TOGETHER WITH SPRING WASHER AND FLAT WASHER USING ALLEN KEY TO THREAD THROUGH THE CORNERS OF THE SEAT RIM AND INTO FRONT LEG. AGAIN, DO NOT FULLY TIGHTEN.

STEP 3
 BRING CHAIR TO UPRIGHT POSITION, THEN TIGHTEN ALL CONNECTIONS SECURELY