

**JOFRAN INC.**  
 ONE JOFRAN WAY,  
 NORFOLK, MA 02056, U.S.A

## Assembly Instructions & Parts Identification

Model Name : 939-48

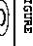
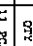


Prior to assembling, please read through the instructions carefully and verify that you have received all parts listed in key below. Remove all packing materials, including wrapping, staples, and straps. To prevent scratches during assembly, place all wooden pieces on a flat soft surface, such as a carpet or rug.

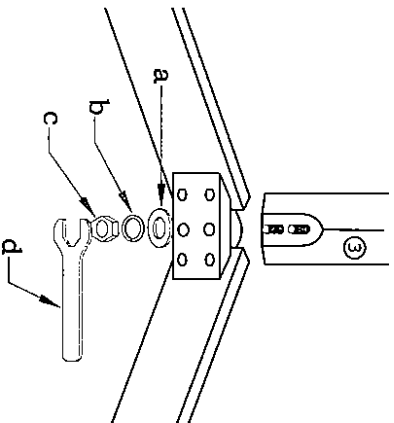
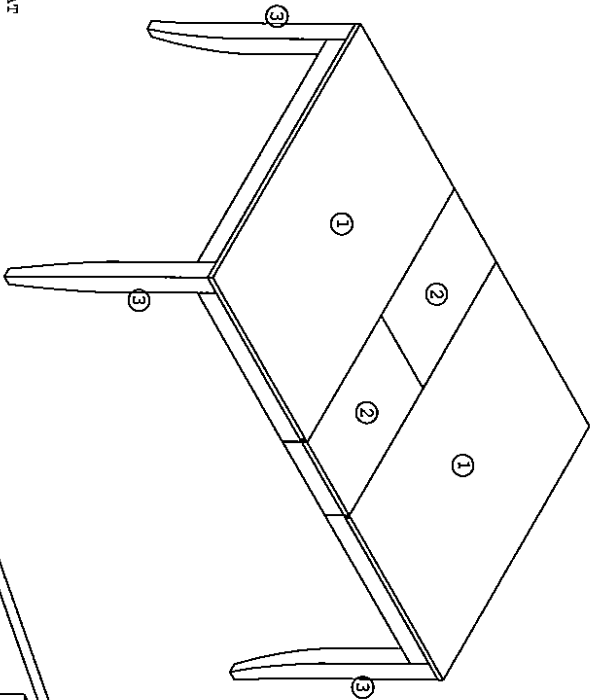
### HARDWARE & PARTS LIST

#### PART LIST

NO	PART NO	DESCRIPTION	QTY
①	939-48P24	TABLE TOP	2 PCS
②	939-48P28	TABLE LEAF	1 PC
③	939-48P02	LEG	4 PCS
④	939-48P13	TABLE GLIDES	2 PCS
⑤	939-48P13L	EXTENSION LOCK	4 PCS
⑥	939-48P01H	LEAF HINGE	2 PCS
⑦	939-48P01KH	ARROW HINGE	4 PCS
⑧	939-48P26	LEAF SUPPORT	1 PC

#### HARDWARE LIST

NO	PART NO	DESCRIPTION	FIGURE	QTY
a	939-48P01	FLAT WASHER		11 PCS
b		SPRING WASHER		11 PCS
c		HEXAGON NUT		8 PCS
d		WRENCH		1 PC



**STEP 1 :**  
 CAREFULLY PLACE TABLE TOP UPSIDE DOWN ON A SMOOTH FLAT SURFACE.

**STEP 2 :**  
 AFFIX EACH LEG ON THE CORNERS OF THE TABLE APRON USING A FLAT WASHER(A), A SPRING WASHER (B), AND A HEXAGON NUT (C). TIGHTEN WITH PROVIDED WRENCH (D).

**STEP 3 :**  
 CAREFULLY TURN ASSEMBLED TABLE UPRIGHT.

DA898L