

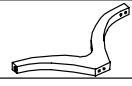







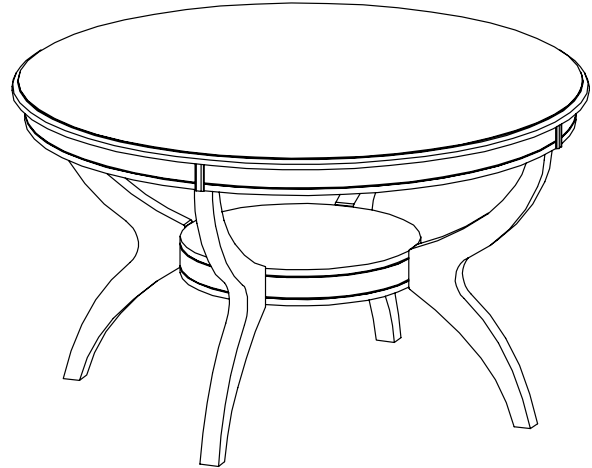
### HARDWARE & PARTS LIST

#### PARTS LIST

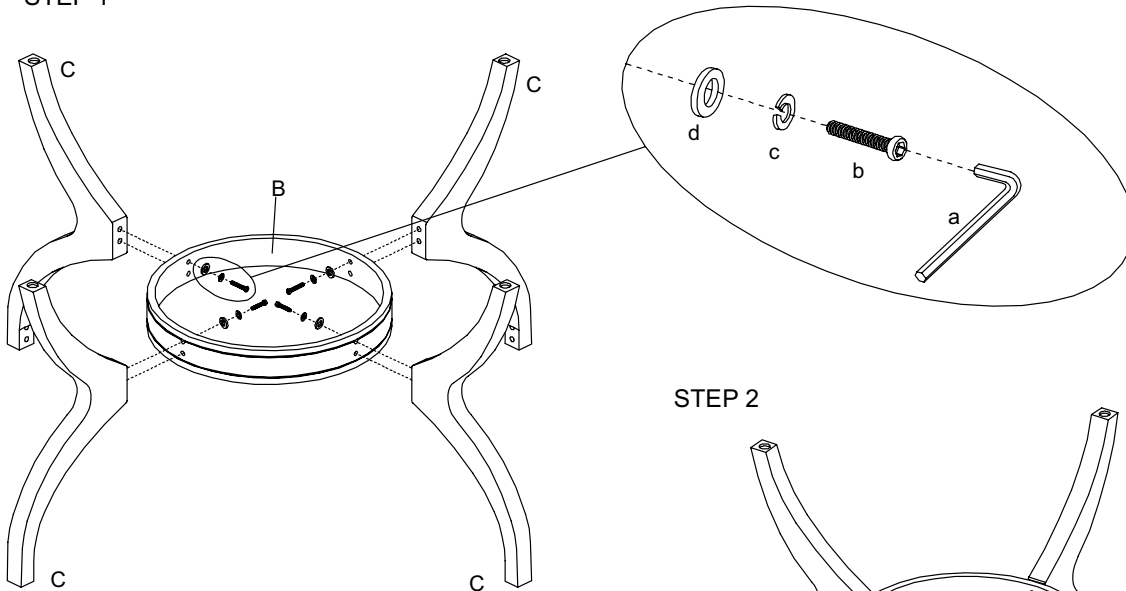
NO	NAME	DESCRIPTION	FIGURE	Q'TY
A	888-54P24	TABLE TOP		1pc
B	888-54P08	SHELF		1pc
C	888-54P02	LEG		4pcs
D	888-54P01F	FLOOR GLIDE		4pcs

#### HARDWARE LIST

NO	PART NO	DESCRIPTION	FIGURE	SPECIFICATION	Q'TY
a	888-54P01	Allen Wrench		M5mm	1pc
b		Allen Bolt		Ø5/16"x1-3/4"	16pcs
c		Lock Washer		Ø5/16"x12mm	16pcs
d		Washer		Ø5/16"x22mm	16pcs



#### STEP 1



#### STEP 2

