







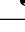


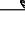


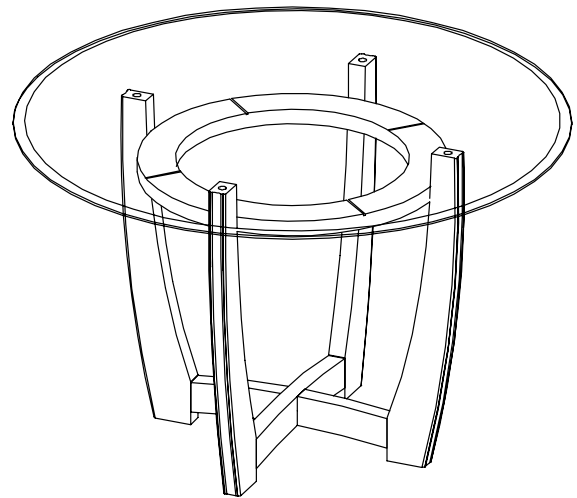
HARDWARE & PARTS LIST

PARTS LIST

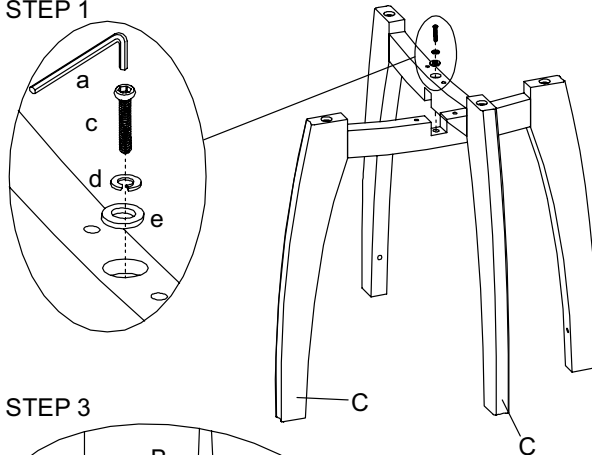
NO	NAME	DESCRIPTION	FIGURE	Q'TY
A	888-48G	GLASS TOP		1pc
B	888-48P11	TOP CENTER STRETCHER		1pc
C	888-48P14T	TOP PEDESTAL FRAME		1pc
D	888-48P14B	BOTTOM PEDESTAL FRAME		1pc
D	888-48P01F	FLOOR GLIDE		4pcs

HARDWARE LIST

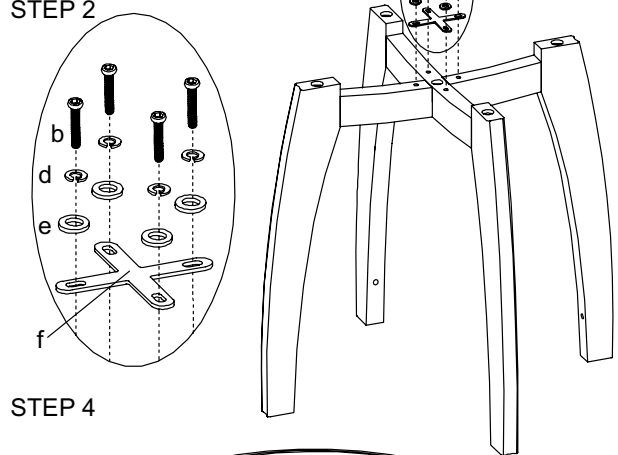
NO	PART NO	DESCRIPTION	FIGURE	SPECIFICATION	Q'TY
a		Allen Wrench		M5mm	1pc
b		Allen Bolt		Ø5/16"x1"	4pcs
c		Allen Bolt		Ø5/16"x1-3/4"	5pcs
d	888-48P01	Lock Washer		Ø5/16"x12mm	9pcs
e		Washer		Ø5/16"x19mm	9pcs
f				130x130x3mm	1pc
g	888-48P19	Glass Rest		Ø18mm	4pcs



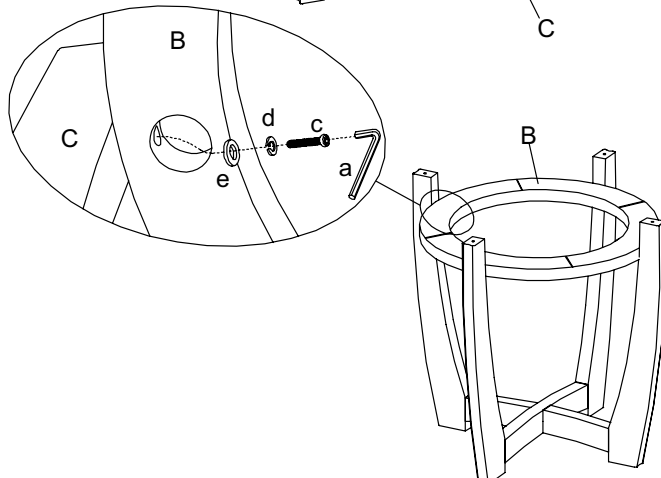
STEP 1



STEP 2



STEP 3



STEP 4

