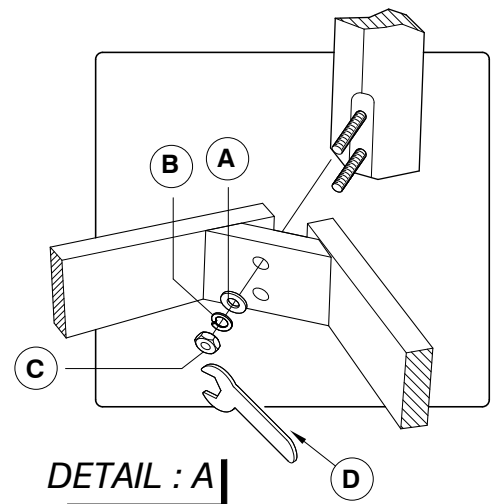
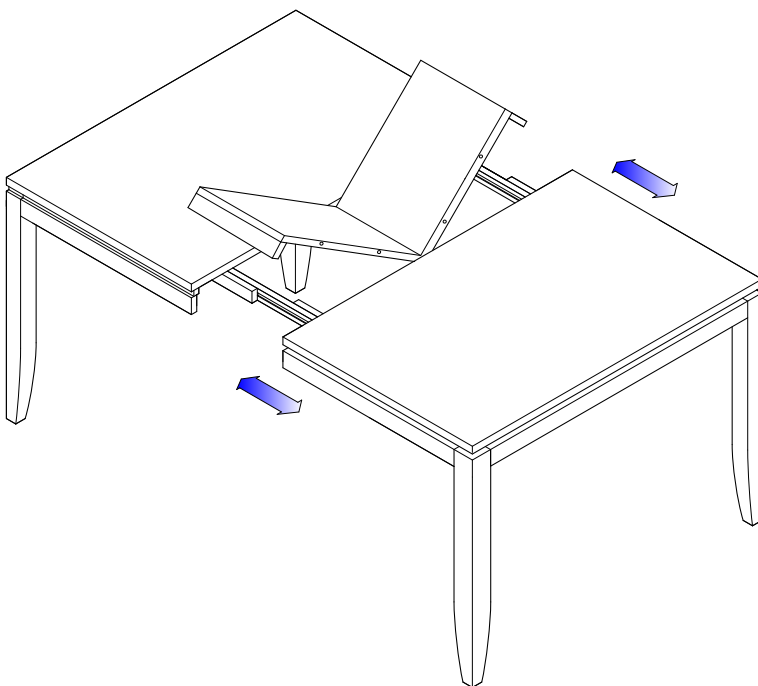
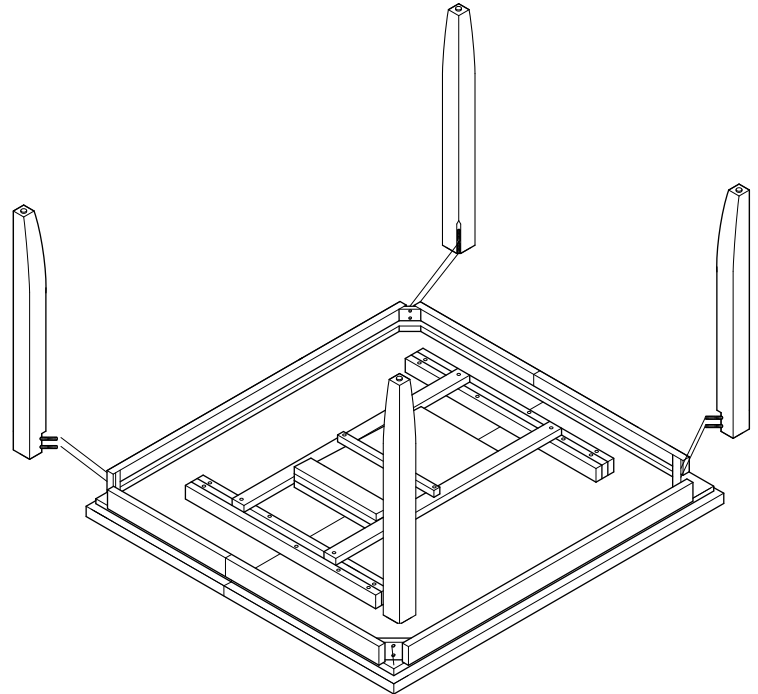
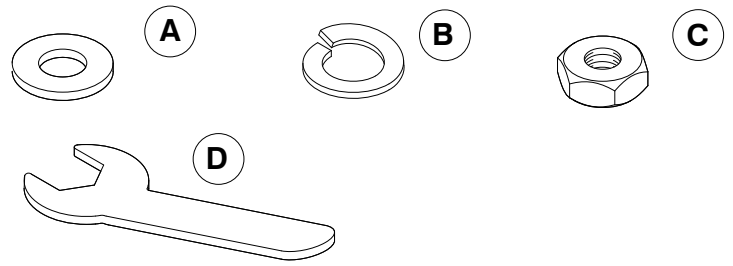


| Hardware Kit ( 686-72P01) |        |             |
|---------------------------|--------|-------------|
| NO.                       | Q.TY   | DESCRIPTION |
| A                         | 8 PCS. | FLAT WASHER |
| B                         | 8 PCS. | LOCK WASHER |
| C                         | 8 PCS. | NUT         |
| D                         | 1 PC.  | KEY WRENCH  |

| Parts Key   |                      |
|-------------|----------------------|
| 686-72P24   | Table Top            |
| 686-72P02   | Leg                  |
| 686-72P01F  | Floor Glide          |
| 686-72P01A  | Apron Spacer         |
| 686-72P01AC | Apron Catch          |
| 686-72P01AH | Apron Hinge          |
| 686-72P01H  | Leaf Hinge           |
| 686-72P13   | Table Glide          |
| 686-72P13L  | Extension Lock       |
| 686-72P36   | Leaf Support         |
| 686-72P24SP | Bottom Support Panel |
| 686-72P26S  | Leaf Swing Hinge     |



**DETAIL : A**

### STEP : 1

- Carefully lay Table Top upside down on a smooth flat surface to prevent scratches. Affix each Leg to each corner of the Table Top as shown in illustration. Screw a Flat Washer, Lock Washer, and Nut into the threaded insert of each Leg. Once all Legs are in place, fully tighten nuts by turning clockwise using provided Key Wrench until secure (see Detail A).