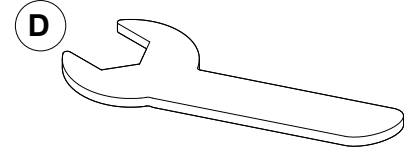
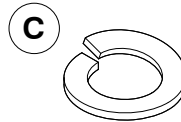
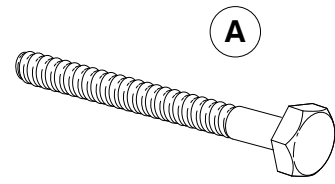
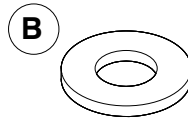


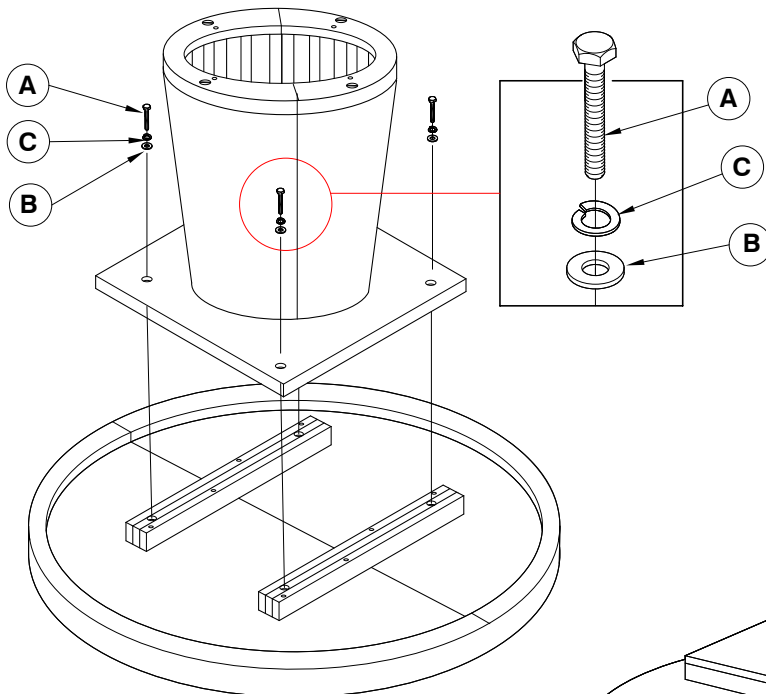
HARDWARE KIT (686-54TP01)

NO.	Q.TY	DESCRIPTION
A	4 PCS.	K.D.SCREW
B	4 PCS.	FLAT WASHER
C	4 PCS.	LOCK WASHER
D	1 PC.	KEY WRENCH



STEP : 1

- Carefully lay table top upside down on a flat smooth surface to prevent scratching during assembly. Carefully turn assembled drum base and mounting plate upside down atop the table top. Align the pre-drilled holes of the mounting plate with the holes of the table top and attach with K.D. Screws, Lock Washers, and Flat Washers. Tighten with provided Key Wrench.



Parts Key

- 686-54P13 Table Glide
- 686-54P28 Table Leaf

STEP : 2

- Carefully turn table right side up. Gently open table top by pulling from both sides. Insert Table Leaf in Table Top opening.

