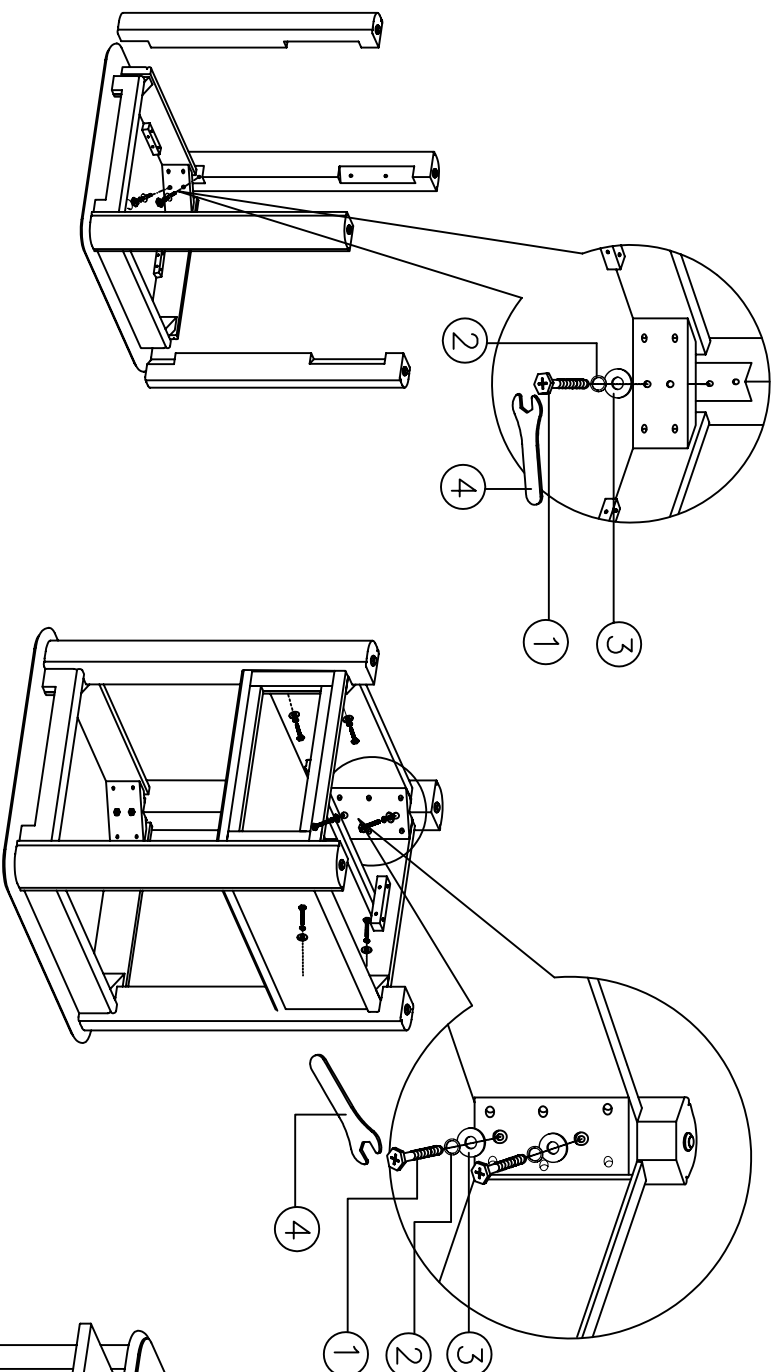


# ASSEMBLY INSTRUCTIONS & PARTS IDENTIFICATION



Thank you for purchasing this high quality product. Be sure to check all packing material carefully for small parts, which may have come loose inside the carton during shipment. Identify and count all parts and compare with the Part-List below.

ITEM: 646-3 END TABLE W/DRAWER



- 646-3P02 Leg
- 646-3P05 Drawer
- 646-3P06 Drawer Glide
- 646-3P51 Storage Box
- 646-3P54 Table Top Surface
- 646-9P57 Tray
- 646P04T Tray Knob
- 646P04 Knob
- 646P01F Floor Glide

NO.	HARDWARE	Q'TY
1	Bolt	16 Pcs
2	Lock washer	16 Pcs
3	Flat washer	16 Pcs
4	Hex wrench	1 Pc

