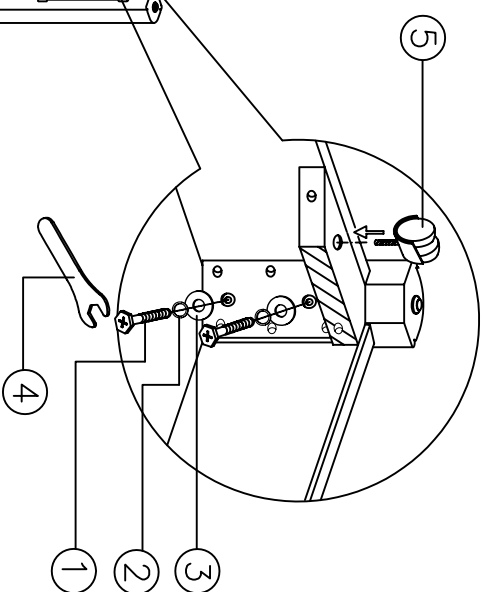
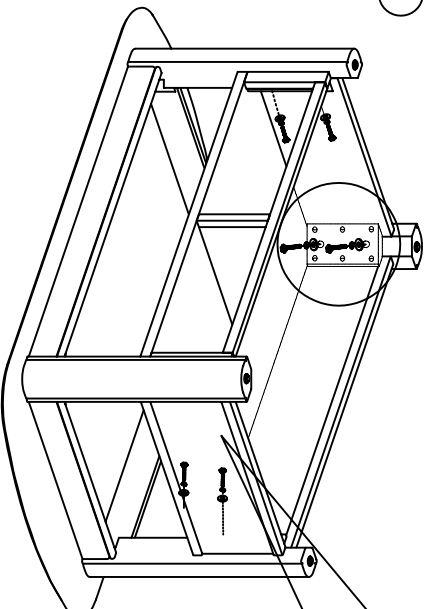
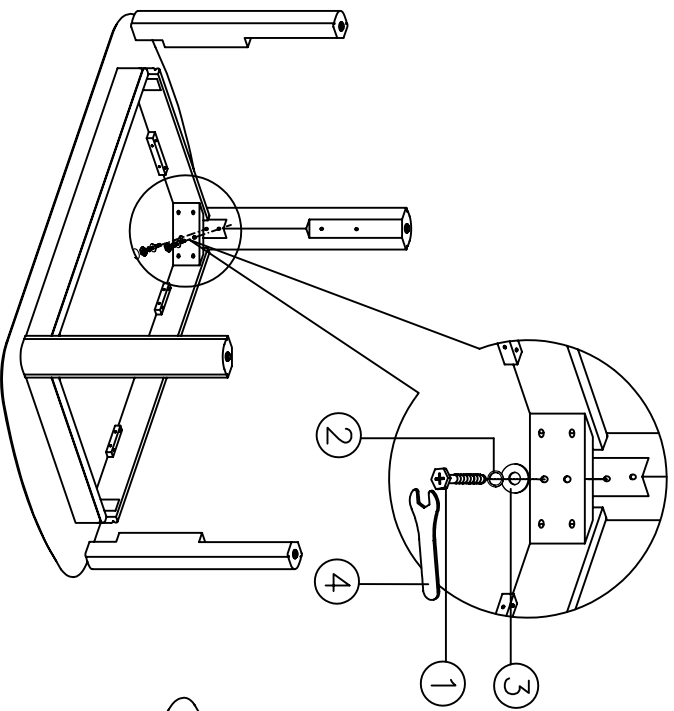


ASSEMBLY INSTRUCTIONS & PARTS IDENTIFICATION



Thank you for purchasing this high quality product. Be sure to check all packing material carefully for small parts, which may have come loose inside the carton during shipment. Identify and count all parts and compare with the Part-List below.

ITEM: 646-1 COCKTAIL TABLE W/CASTERS



- 646-1P02 Leg
- 646-1P05 Drawer Glide
- 646-1P06 Storage Box
- 646-1P51 Table Top Surface Knob
- 646P04 Floor Glide
- 646P01F

| NO. | HARDWARE | Q'TY |
|-----|-----------------------------|--------|
| 1 | Bolt Φ5/16" x 2" | 16 Pcs |
| 2 | Lock washer Φ5/16" x Φ11 | 16 Pcs |
| 3 | Flat washer Φ5/16" x Φ19 | 16 Pcs |
| 4 | Hex wrench Φ5/16" | 1 Pc |
| 5 | Ball Caster | 4 Pcs |

