

R

RIVERSIDE FURNITURE

RIVERSIDE FURNITURE CORP.

Box 1427 1400 South 6th Street
Fort Smith, Arkansas 72902
Phone 479-785-8100

PACKING LIST

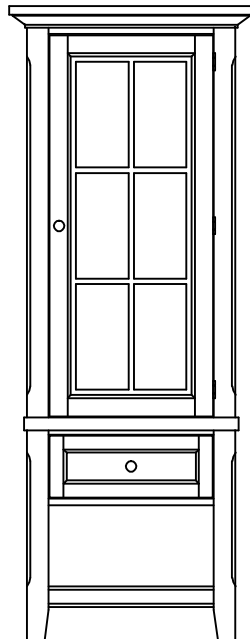
DESCRIPTION	QT'Y.
TIPPING RESTRAINT	1
SHELF PINS	8

PRODUCT NO.

52051,52151,52251,52351

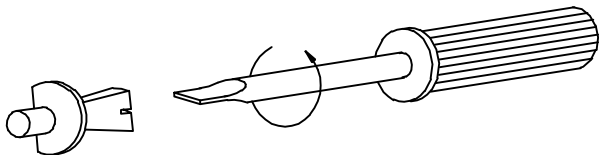
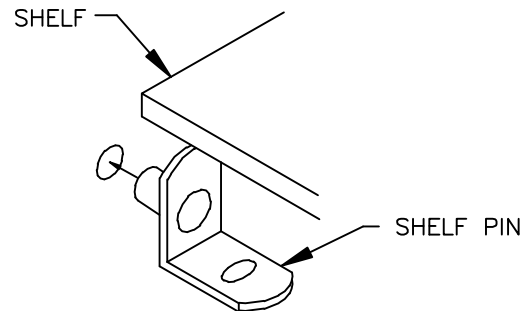
WARNING!!!

**RISK OF FIRE/INJURY/BURN TO PERSONS/PROPERTY.
KEEP COMBUSTIBLES AWAY FROM LIGHTING FIXTURE.
TURN OFF/UNPLUG TO CHANGE BULB. DO NOT TOUCH
HOT BULB. DO NOT OPERATE LIGHT IF DAMAGED.**



SHELF PINS

IN ORDER TO HAVE A SAFE & SECURE SHELF, THE SHELF PIN HOLE MUST BE TIGHT. THIS MAY CAUSE, IN SOME SITUATIONS, A NEED FOR THE SHELF PIN TO BE TAPPED INTO THE HOLE WITH A HAMMER. IF THIS OCCURS THERE MAY BE A NEED TO USE PLIERS IN REMOVING THE PIN. ROTATE WHILE PULLING PIN FROM THE HOLE.



TO UNPACK GLASS SHELVES

1. INSERT A FLAT TIP SCREWDRIVER INTO SLOT OF PACKING PIN.
2. TURN SCREWDRIVER AS ILLUSTRATED SO THE FLAT PORTION OF THE PIN IS DOWN, THIS WILL RELEASE THE SHIPPING PIN.
3. REMOVE THE PINS FROM HOLES IN UNIT, PLIERS MAY BE NEEDED TO REMOVE PINS.

THIS UNIT MAY BE ATTACHED TO THE WALL BY USING THE LOOP HANGERS AT THE TOP BACK OF THE CASE. THE INSTALLATION INSTRUCTIONS ARE INCLUDED WITH THE HARDWARE. ATTACHING THE HARDWARE AS SHOWN WILL ELIMINATE THE UNIT FROM POSSIBLY TILTING FORWARD WHICH COULD CAUSE DAMAGE TO THE CASE AND/OR INJURY TO YOUNG CHILDREN