






ASSEMBLY INSTRUCTIONS

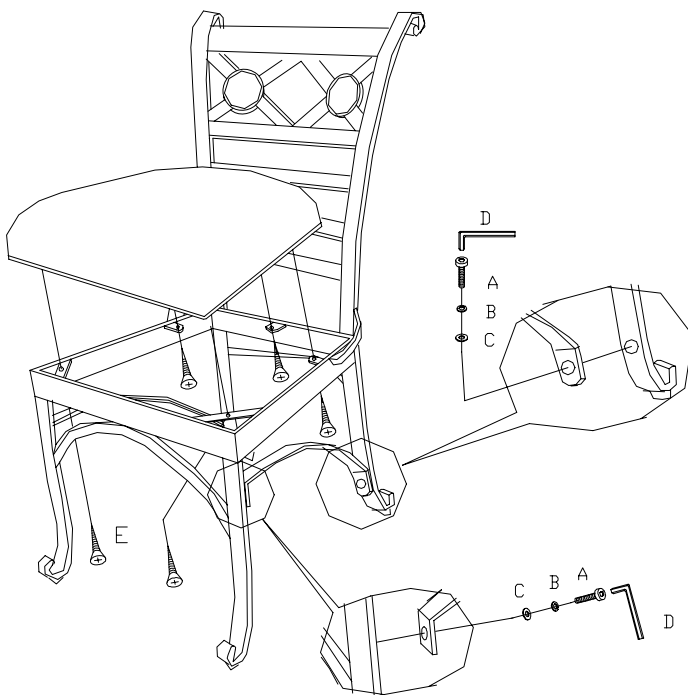
31024 DINING SIDE CHAIR

Component List:

- 1) Metal Chair Frame.....1 pc
- 2) Metal Stretcher.....2 pc
- 3) Cushion.....1 pc

Hardware List:

#	HARDWARE	SKETCH	QTY	EXT
A	M1/4"X1/2" ALLEN HEAD BOLT		4 PCS	1 PC
B	M1/4" SPRING WASHER		4 PCS	1 PC
C	M1/4" FLAT WASHER		4 PCS	1 PC
D	M1/4" ALLEN WRENCH		1 PC	
E	WOOD SCREW		5 PCS	1 PC



Note: Read instructions thoroughly before attempting to assemble the chair

- 1) Turn the Seat Cushion upside down and place it onto the corner of a table with the front edge facing inward.
- 2) Carefully turn the Metal Chair Frame upside down and center it on the bottom side of Seat Cushion.
- 3) Attach the Seat Cushion using the five Wood Screws (E) as shown..
- 4) Attach the Metal Stretchers to the front and back legs using (A,B,C) as shown. Tighten using Allen Wrench (D).