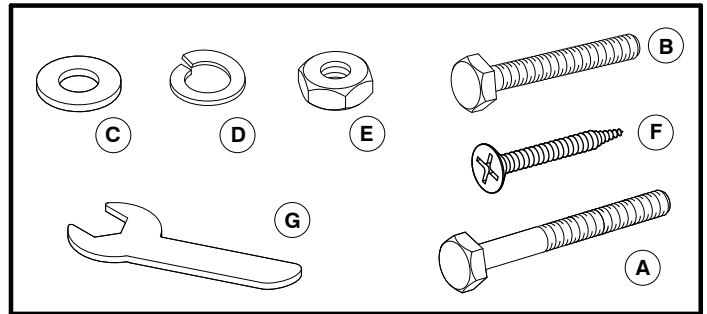
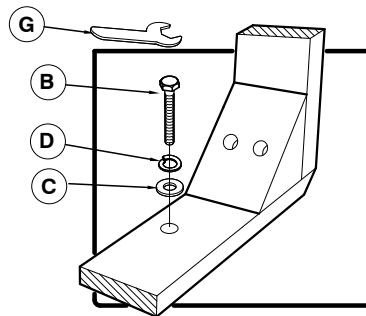


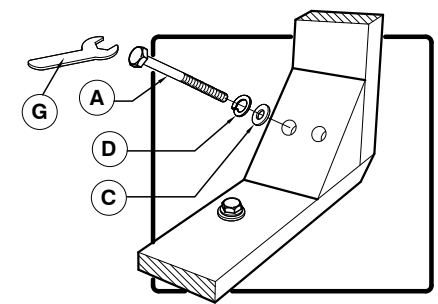
Hardware Kit (289-BS440KDP46)		
NO.	Q.TY	DESCRIPTION
A	4 PCS.	K.D.SCREW ( LONG )
B	3 PCS.	K.D.SCREW ( SHORT )
C	11 PCS.	FLAT WASHER
D	11 PCS.	LOCK WASHER
E	4 PCS.	NUT
F	6 PCS.	WOOD SCREW
G	1 PC.	KEY WRENCH



Parts Key	
289-BS440KDP40	CHAIR BACK
289-BS440KDP41	COMPLETE SEAT
289-BS440KDP42	RIGHT FACING LEG
289-BS440KDP43	LEFT FACING LEG
289-BS440KDP44	SIDE STRETCHER
289-BS440KDP49	FRONT STRETCHER



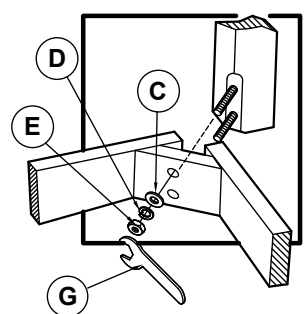
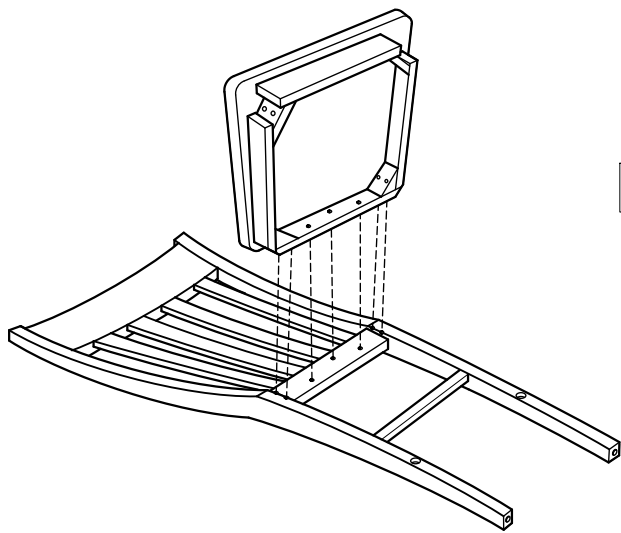
**DETAIL A**



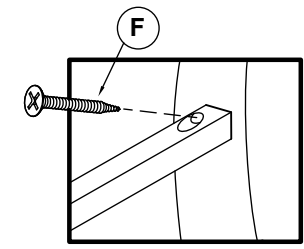
**DETAIL B**

**STEP 1**

- REMOVE ALL PARTS FROM CARTON.
- OPEN CARTON SO THAT IT CAN BE USED AS WORK SURFACE FOR ASSEMBLY.
- PLACE THE CHAIR BACK ON THE CARTON.
- PLACE THE WOOD SEAT ON THE CHAIR BACK AND INSERT A FLAT WASHER (C), LOCK WASHER (D) AND A SHORT K.D.SCREW (B) INTO EACH OF THE 3 HOLES ON BACK OF THE SEAT AND TIGHTEN THE SCREW WITH THE KEY WRENCH (G) BY TURNING CLOCKWISE UNTIL SECURE. ( SEE DETAIL : A )
- INSERT THE FLAT WASHER (C), LOCK WASHER (D) AND LONG K.D.SCREW (A) INTO EACH OF 2 HOLES IN THE SEAT CORNERS. TIGHTEN THE SCREWS WITH THE KEY WRENCH (G). ( SEE DETAIL : B )



**DETAIL C**



**DETAIL D**

**STEP 2**

- TURN OVER THE CHAIR AND ATTACH THE LEGS TO THE FRONT OF THE CORNER SEAT FRAME.
- PLACE FLAT WASHER (C), LOCK WASHER (D) AND NUT (E) ON EACH BOLT.
- TURN THE NUT (E) ON EACH LEG SEVERAL TURNS WITH KEY WRENCH (G) **BUT DO NOT TIGHTEN.**
- INSERT 2 SIDE STRETCHERS AND FRONT STRETCHER INTO THE HOLES BETWEEN FRONT AND BACK LEG AND FASTEN WITH WOOD SCREW (F) ON EACH END WITH PHILLIPS HEAD SCREWDRIVER. ( NOT PROVIDED )
- TIGHTEN ALL SCREWS BEFORE USING STOOL.

