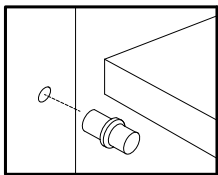
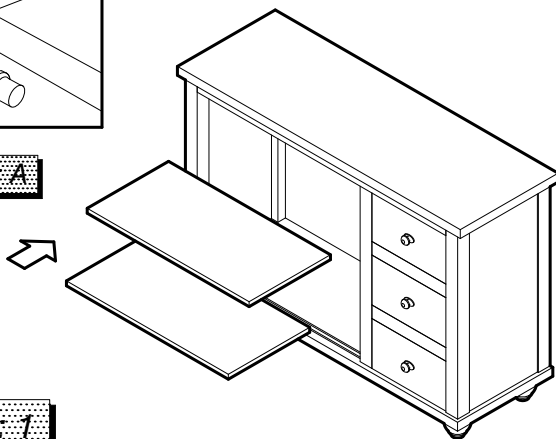


Parts Key

289-95P02	BUN FOOT
289-95P04	KNOB
289-95P04S	SLIDING DOOR HANDLE
289-95P05	DRAWER
289-95P06	DRAWER GLIDE
289-95P07L	LEFT FACING SLIDING DOOR FRAME
289-95P07R	RIGHT FACING SLIDING DOOR FRAME
289-95P07S	DOOR SILDE WHEEL/PIN SET
289-95P08	SHELF
289-95P08P	SHELF PIN
289-95P16	SLIDING DOOR GLASS PANEL
289-95P51	SERVER STORAGE BOX

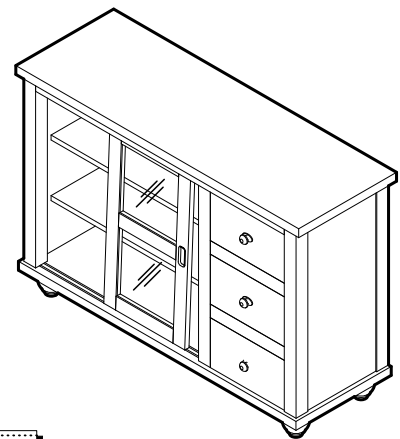


DETAIL A



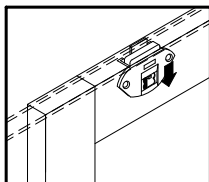
STEP 1

-Put the Shelves onto the Shelf Supporting Pins, one shelf at a time. see detail : A

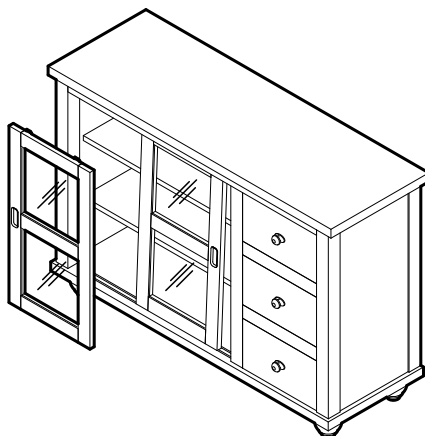


STEP 2

-Insert the right facing sliding door and lean it against the assembled shelves.

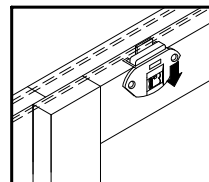


DETAIL B

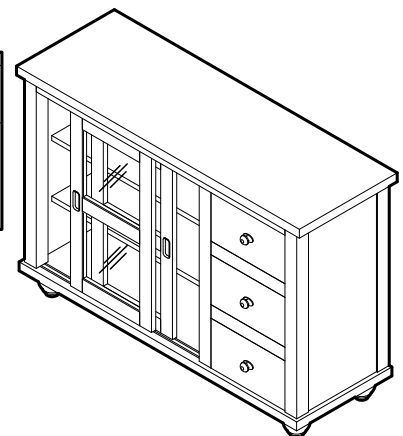


STEP 3

-Assemble the left facing sliding door by pressing the pin set down and releasing it while the pin set is aligned with the sliding rail. Make sure the upper and lower locks are positioning on the rail at the same time. see detail : B



DETAIL C



STEP 4

-Move the left facing sliding door to the center to allow more room for both hands and repeat the installation for the right facing sliding door. see detail : C