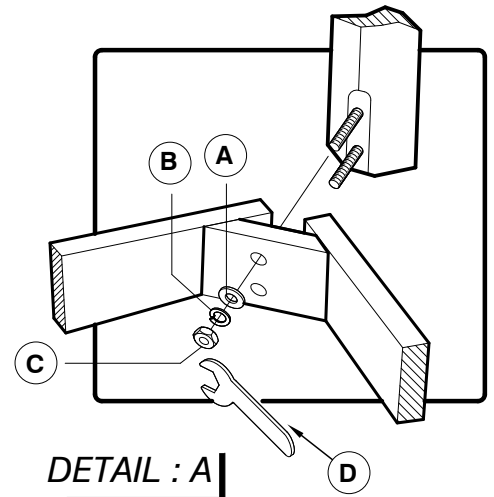
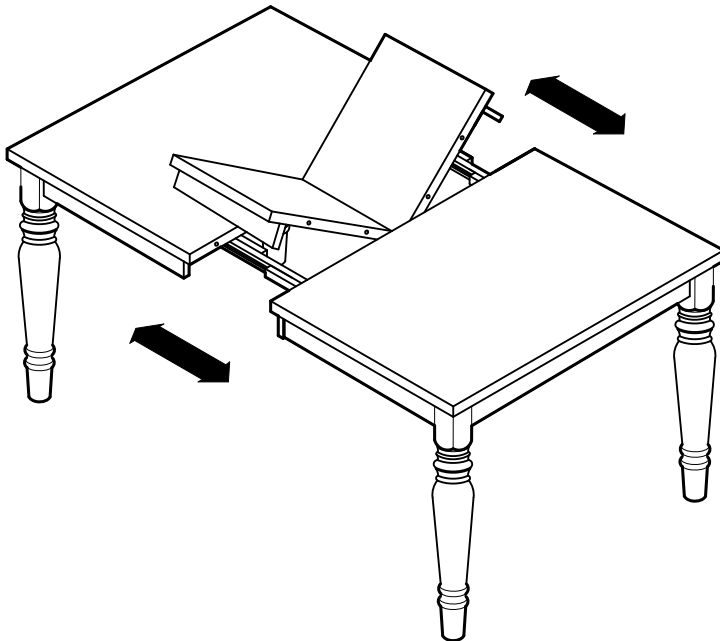
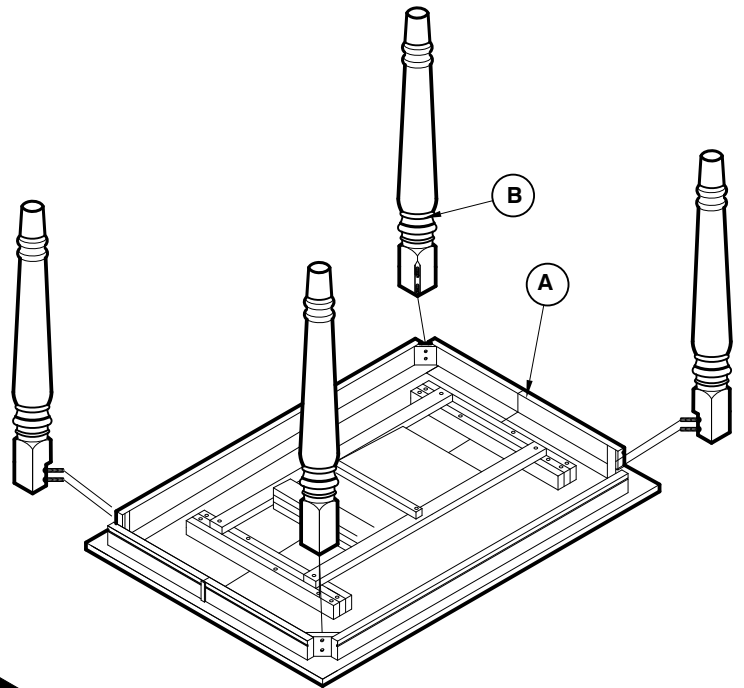
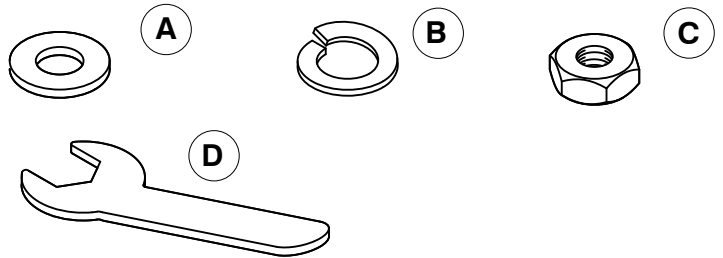


Hardware Kit (289-66P01)		
NO.	Q.TY	DESCRIPTION
A	8 PCS.	FLAT WASHER
B	8 PCS.	LOCK WASHER
C	8 PCS.	NUT
D	1 PC.	KEY WRENCH

Parts Key	
289-66P24	TABLE TOP
289-66P02	LEG
289-66P01A	APRON SPACER
289-66P01AC	APRON CATCH
289-66P01AH	APRON HINGE
289-66P01H	LEAF HINGE
289-66P13	TABLE GLIDE
289-66P13L	EXTENSION LOCK
289-66P36	LEAF SUPPORT
289-66P24SP	BOTTOM SUPPORT PANEL
289-66P26S	LEAF SWING HINGE



STEP : 1

- Carefully lay Table Top upside down on a smooth flat surface to prevent scratches. Affix each Leg to each corner of the Table Top as shown in illustration. Screw a Flat Washer, Lock Washer, and Nut into the threaded insert of each Leg. Once all Legs are in place, fully tighten nuts by turning clockwise using provided Key Wrench until secure (see Detail A).