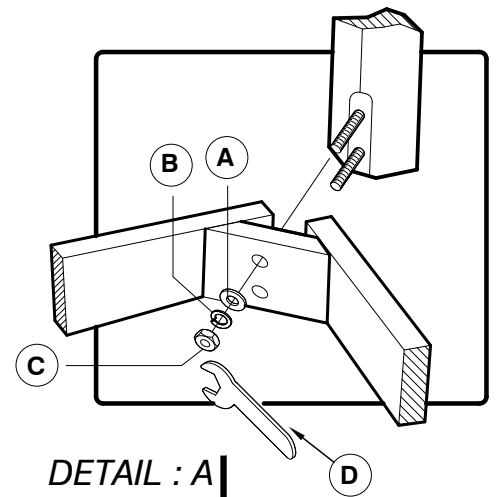
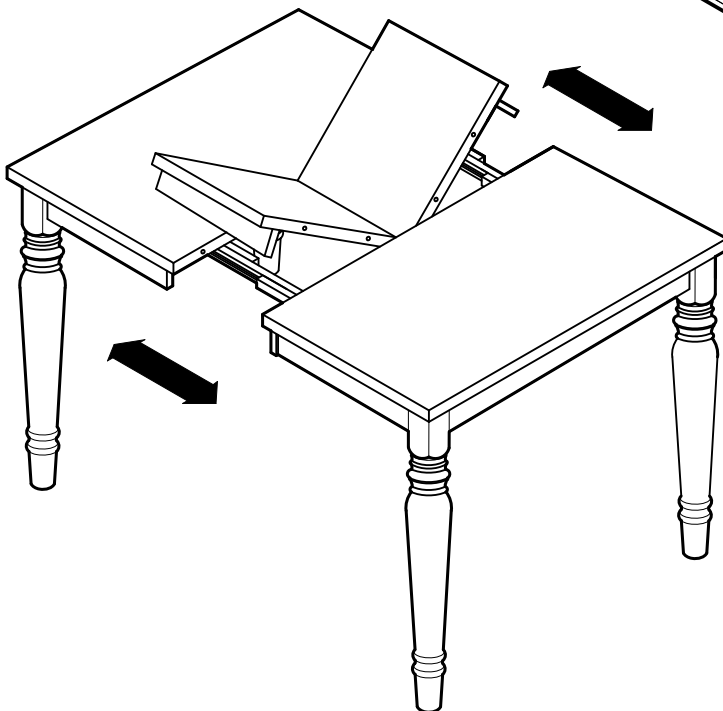
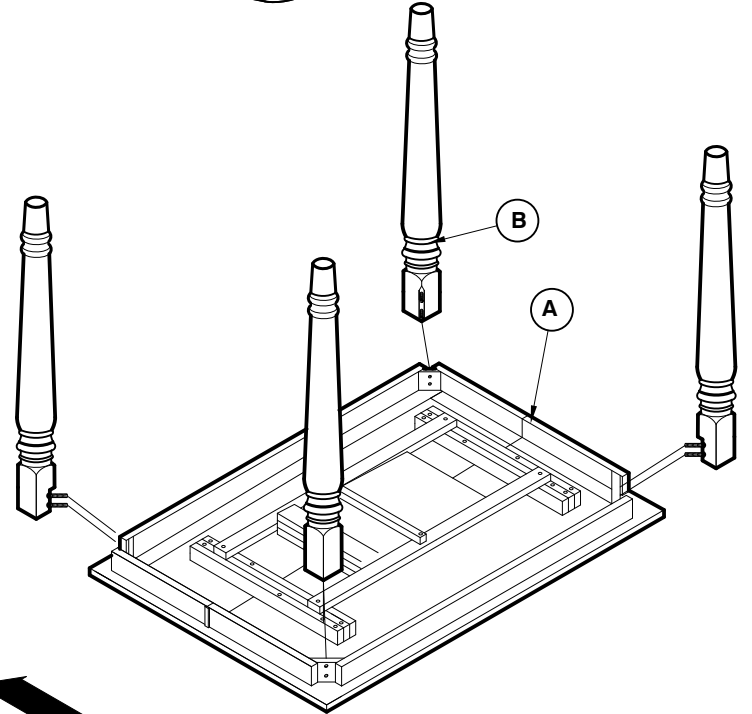
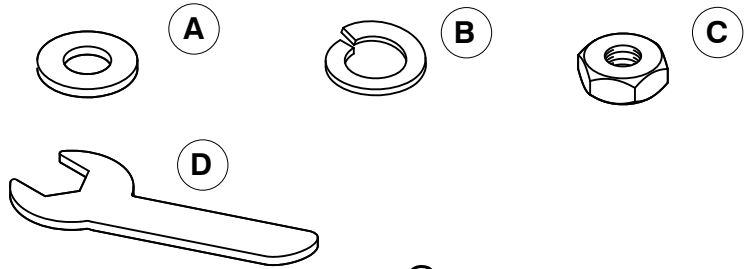


Hardware Kit (289-54P01)

NO.	Q.TY	DESCRIPTION
A	8 PCS.	FLAT WASHER
B	8 PCS.	LOCK WASHER
C	8 PCS.	NUT
D	1 PC.	KEY WRENCH

Parts Key

289-54P24	TABLE TOP
289-54P02	LEG
289-54P01A	APRON SPACER
289-54P01AC	APRON CATCH
289-54P01AH	APRON HINGE
289-54P01H	LEAF HINGE
289-54P13	TABLE GLIDE
289-54P13L	EXTENSION LOCK
289-54P36	LEAF SUPPORT
289-54P24SP	BOTTOM SUPPORT PANEL
289-54P26S	LEAF SWING HINGE



DETAIL : A

STEP : 1

- Carefully lay Table Top upside down on a smooth flat surface to prevent scratches. Affix each Leg to each corner of the Table Top as shown in illustration. Screw a Flat Washer, Lock Washer, and Nut into the threaded insert of each Leg. Once all Legs are in place, fully tighten nuts by turning clockwise using provided Key Wrench until secure (see Detail A).