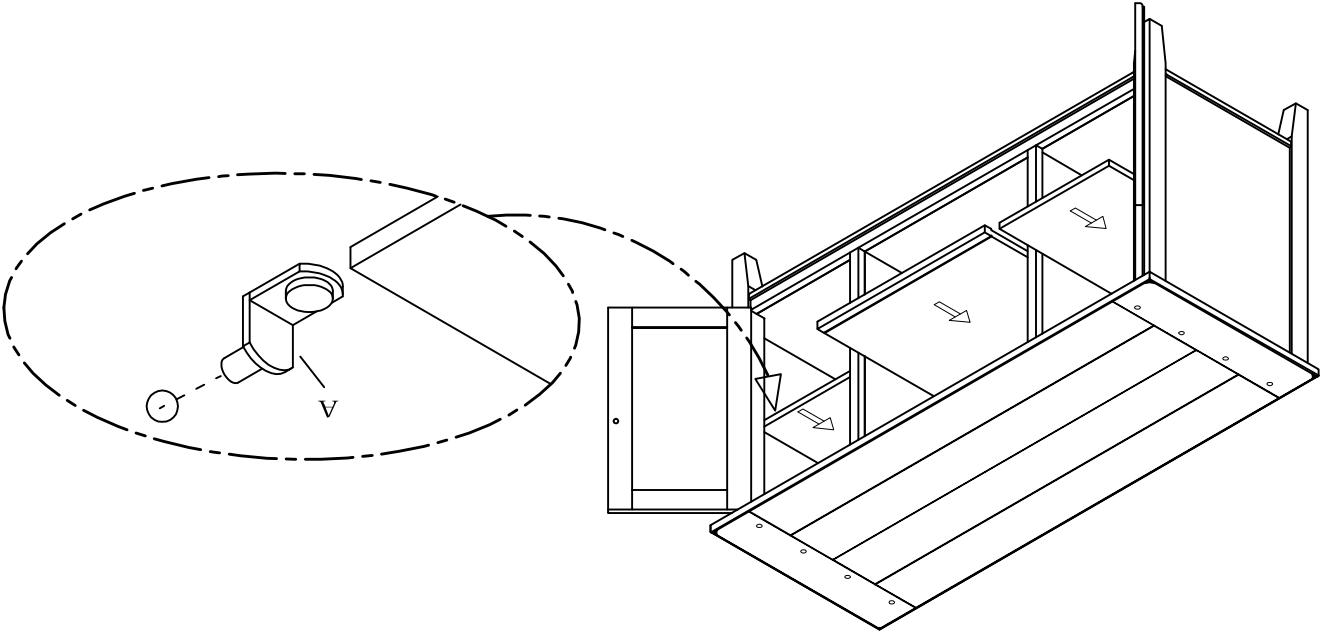


Parts Identification			
NO	Parts#	Description	Q' TY
a	081-9P08C	Center Shelf	1pc
b	081-9P08R	Right Side Shelf	1pc
c	081-9P08L	Left Side Shelf	1pc
d	081-9P07R	Right Facing Door	1pc
e	081-9P07L	Left Facing Door	1pc
f	081P08P	Shelf Pins	8pcs
g	081P04A	Door Handle	2pcs
h	081P01H	Door Hinge	4PCS
i	081P01D	Door Catch Assembly	2pcs



- STEP: 1 Open each Side Door
 STEP: 2 Insert Shelf Pins into holes of desired shelf height
 STEP: 3 Carefully place Shelf onto affixed Shelf Pins