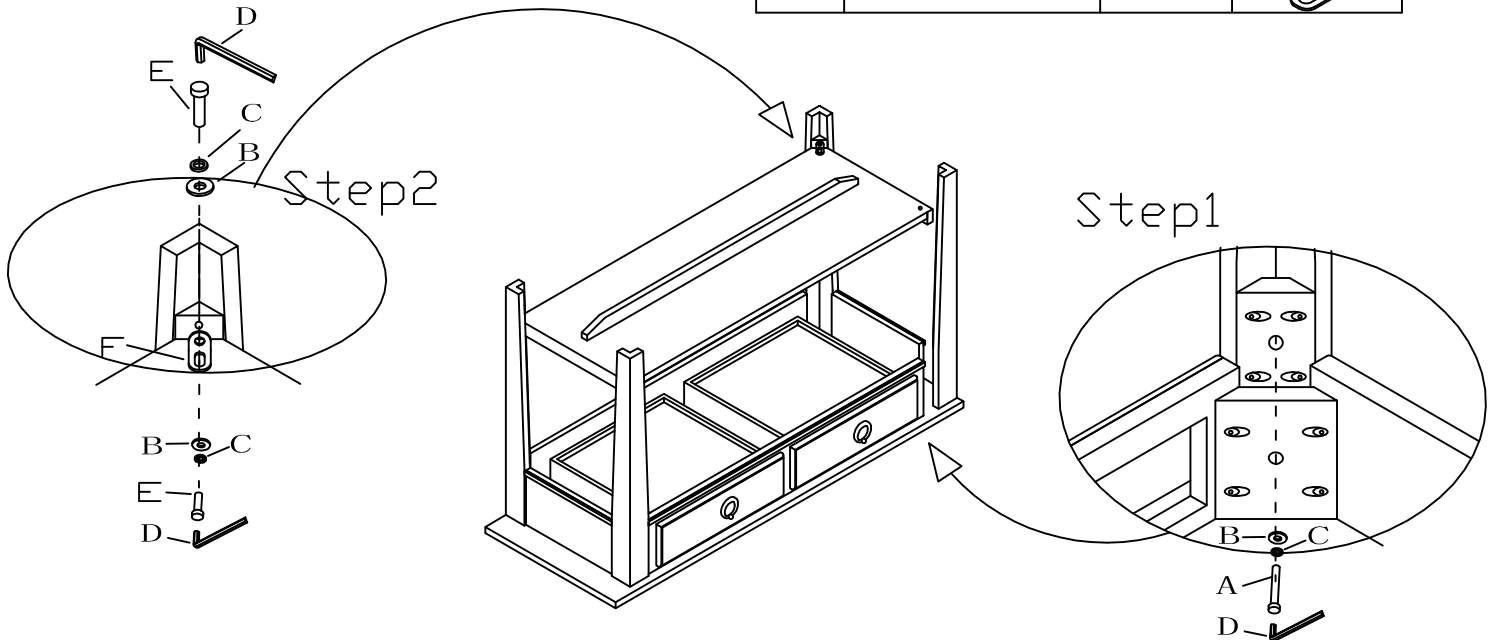


Parts Identification			
NO	Parts#	Description	Q' TY
a	081-4P02	Leg	4pcs
b	081-4P05	Drawer	2pcs
c	081-4P06	Drawer Glide	2pcs
d	081-4P08	Shelf	1pc
e	081P04B	Drawer Handle	2pcs

HARDWARE LIST 081-4P01			
NO	Description	Q' TY	Sketch
A	Allen Bolt	4	
B	Flat Washer	12	
C	Lock Washer	12	
D	Allen Wrench	1	
E	Allen Bolt	8	
F	Metal JOINT	4	



STEP: 1 . Carefully place table top face down on smooth, soft surface. Attach leg to apron corner using Allen Bolt (A), Flat Wash (B), and Lock Washer (C); tighten with Allen Wrench (D).

STEP: 2 . Connect shelf to each leg as shown in Step 2 above, using Flat Washers (B) , Lock Washers (C), Allen Bolts (E), Allen Wrench (D), and Metal Joint (F).

STEP: 3 . Carefully turn table to its upright position.