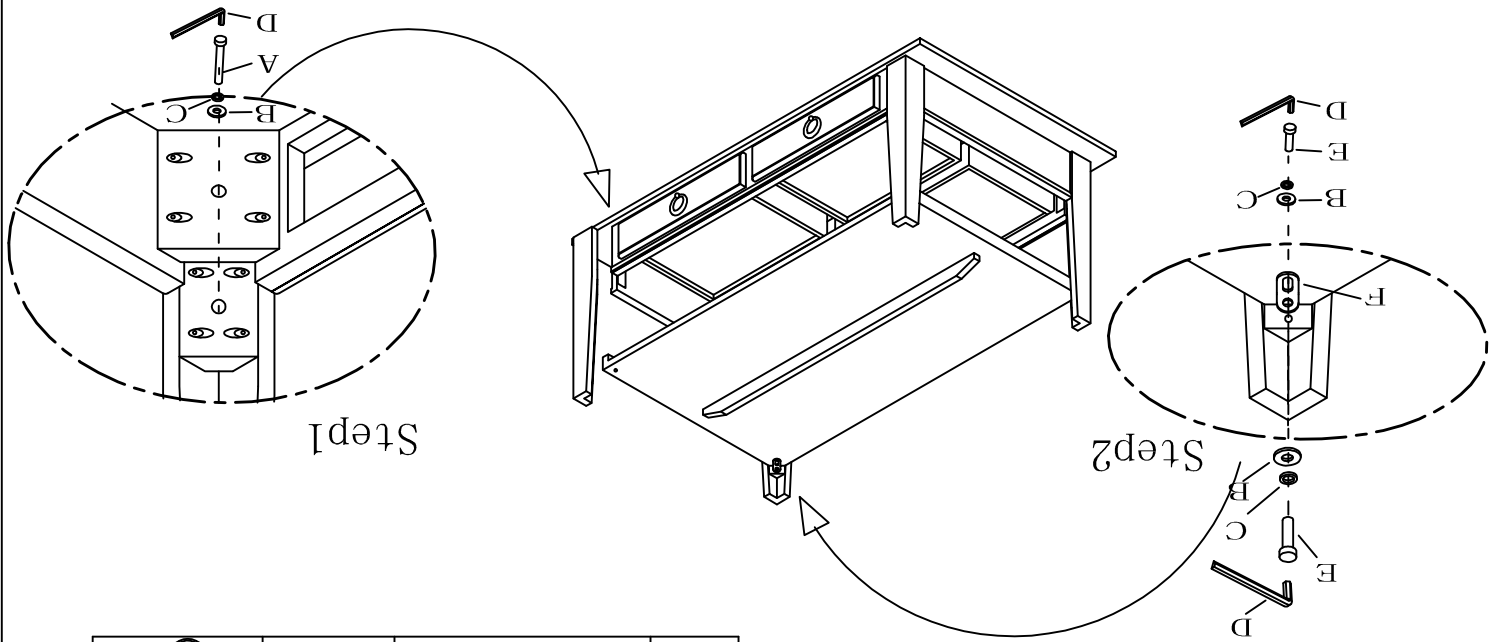


Parts Identification	
NO	Parts#
a	081-1P02
4pcs	Leg
b	081-1P05
4pcs	Drawer
c	081-1P06
4pcs	Drawer Glide
d	081-1P08
1pc	Shelf
e	081P04B
4pcs	Drawer Handle

HARDWARE LIST 081-1P01	
NO	Description
A	Allen Bolt
4	
B	Flat Washer
12	
C	Lock Washer
12	
D	Allen Wrench
1	
E	Allen Bolt
8	
F	Metal JOINT
4	



STEP: 1 . Carefully place table top face down on smooth, soft surface. Attach leg to apron corner using Allen Bolt (A), Flat Wash (B), and Lock Washer (C); tighten with Allen Wrench (D).

STEP: 2 . Connect shelf to each leg as shown in Step 2 above, using Flat Washers (B), Lock Washers (C), Allen Bolts (E), Allen Wrench (D), and Metal Joint (F).

STEP: 3 . Carefully turn table to its upright position.