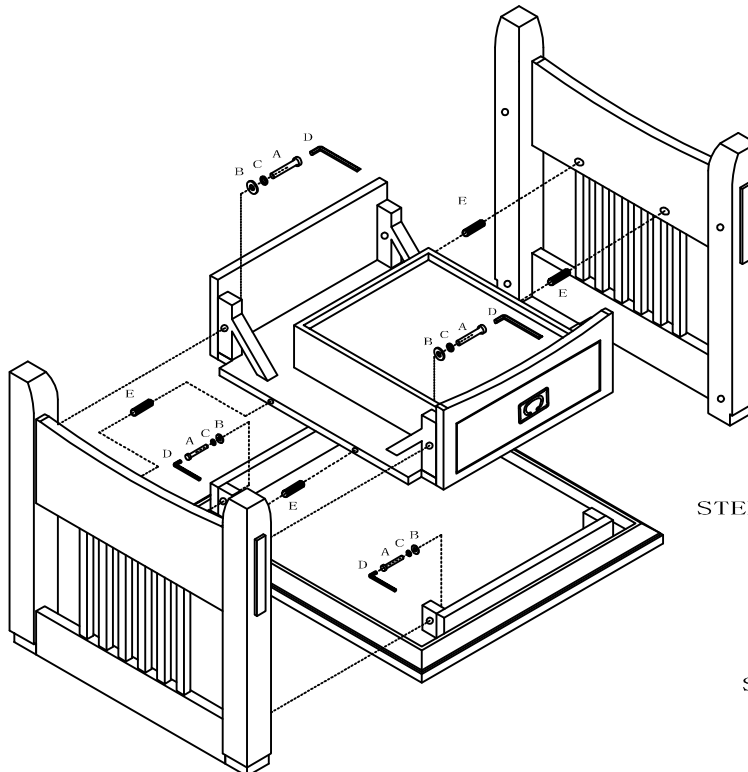


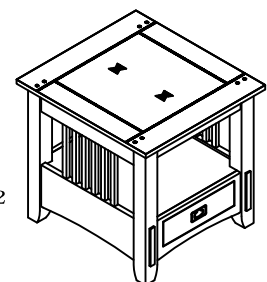
Parts Identification			
NO	Parts#	Description	Q' TY
a	077-3P53	Side Leg Assembly	2pcs
b	077-3P10	Leg Finial	4pcs
c	077-3P05	Drawer	1pc
d	077-3P06	Drawer Glide	1pc
e	077-3P08	Shelf	1pc
f	077P04	Drawer Handle	1pc

HARDWARE LIST 077-3P01			
NO	Description	Q' TY	Sketch
A	Allen Bolt	8	
B	Flat Washer	8	
C	Lock Washer	8	
D	Allen Wrench	1	
E	Wood Dowel	4	



STEP 1

STEP 2



STEP:1. Place table top face down on smooth flat surface.

STEP:2. Place leg assembly to table top as shown in above sketch. Attach leg assembly to top using parts A, B, & C as shown. , Each leg will use 1 bolt, 1 lock washer and 1 flat washer. Hand tighten all four sets of bolts.

STEP:3. Insert shelf section between leg assemblies and in E combine ,also, insert bolt package A,B,C and hand tighten. Each side will use two sets of bolt connections A,B & C.

STEP:4. When all bolt connections are in place, tighten firmly using allen wrench D.

STEP:5. Turn table over, place and enjoy