



Creating Solutions for a Healthier Environment

AUTOMATIC **PET DISH**

FEED YOUR DOG OR CAT AUTOMATICALLY

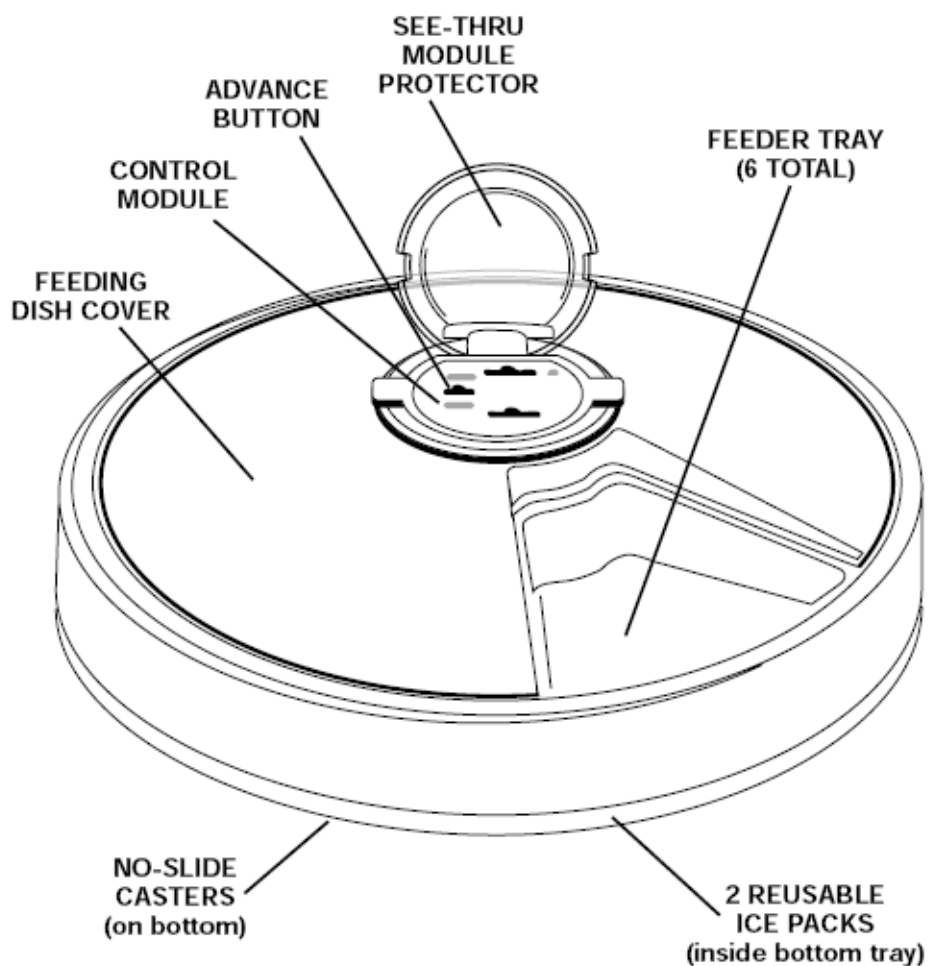
**Directions
for Use**

"SIX DAY"

PD-06



FUNCTIONS:



DIRECTIONS FOR USE:

LOADING THE BATTERIES:

- This unit requires one (1) 9 volt battery (not included.)
- The battery compartment is located under the center control module.
- Remove the timer located under the clear covered control module by pulling up feeder compartment cover and then pulling the center timer out.
- Turn the control module over - the battery cover is on the underneath of the timer column and must be unscrewed with a Phillips head screwdriver.
- Install the 9 volt battery, making sure to securely connect the leads and tucking them inside the battery compartment.
- Replace the battery compartment cover and screw the cover down securely.

READY TO SET

- The ON/OFF switch is located under the clear plastic cover of the control module.
- Switch to ON position
- Select 6, 12 hours or 24 hours time interval using the switch located on top of the battery compartment column.
- If you want to use the ice packs (included) lift the feeder tray out and remove the ice packs. Fill with water to max level and secure cap to ice pack. Place in freezer until water is frozen solid.
- Place the ice packs on top of the bottom tray - replace the feeder tray making sure it snaps into place.

GO!

- Replace the control module inside the feeding dish cover twisting until it slides down freely and making sure it is flush with the bottom of the center column.
- Fill each tray with food. **IMPORTANT!** Do not overfill the compartment with food, otherwise the tray will not rotate properly and your pet may miss a meal!
- Replace the feeding dish cover/control module unit on the feeder tray, lining up the holes in the bottom of the control module with the round knobs on the center of the dish and pushing it down gently. Turning on the power will rotate the dish and lock it into place.
- Lid will automatically turn at the time interval you selected giving your pet a fresh dish of food.
- Advance button allows you to manually rotate the cover to the next feeder tray without changing time interval setting.