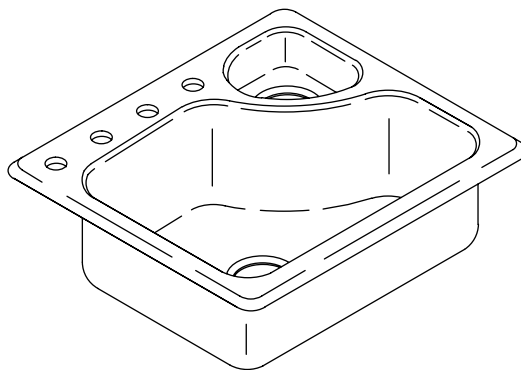


### Features

- KOHLER cast iron
- Acid-resistant enamel finish
- Self-rimming
- Double compartment with elevated disposal basin
- 4-hole (-4) or 3-hole (-3)
- 25" (63.5 cm) x 22" (55.9 cm)

### SELF-RIMMING KITCHEN SINK K-5918



### Codes/Standards Applicable

Specified model meets or exceeds the following:

- ASME A112.19.1M
- IAPMO/UPC
- CSA B45

### Colors/Finishes

- 0: White
- Other: Refer to Price Book for additional colors/finishes

### Accessories:

- CP: Polished Chrome
- Other: Refer to Price Book for additional colors/finishes

### Specified Model

Model	Description	Colors/Finishes	
K-5918-4	4-hole sink	<input type="checkbox"/> 0	<input type="checkbox"/> Other _____
K-5918-3	3-hole sink	<input type="checkbox"/> 0	<input type="checkbox"/> Other _____
Recommended Accessories			
K-8801	Duostrainer® sink strainer	<input type="checkbox"/> CP	<input type="checkbox"/> Other _____
K-9000	P-Trap	<input type="checkbox"/> CP	

### Product Specification

The kitchen sink shall be made of cast iron with acid-resistant enamel finish. Sink shall be self-rimming. Sink shall be double compartment with elevated disposal basin. Sink shall be 4-hole (-4) or 3-hole (-3). Sink shall be 25" (63.5 cm) in length and 22" (55.9 cm) in width. Sink shall be Kohler Model K-5918-\_\_\_\_\_-\_\_\_\_\_.

# URBANITE™

## Technical Information

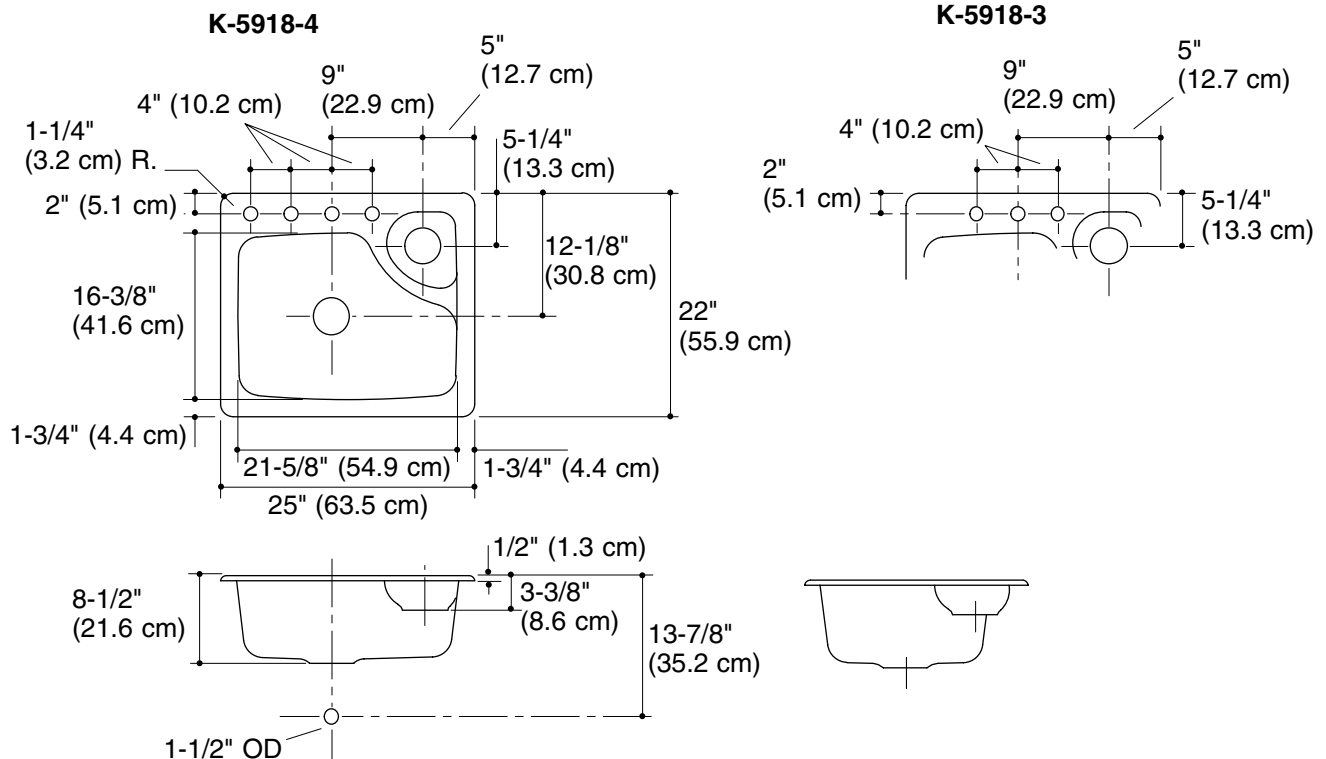
Fixture*:	
Basin area	22" (55.9 cm) x 16" (40.6 cm)
Water depth	7-1/4" (18.4 cm)
Disposal area	8" (20.3 cm) x 7" (17.8 cm)
Disposal water depth	2-1/8" (5.4 cm)
Drain holes	3-5/8" (9.2 cm) D.
Faucet holes	1-3/8" (3.5 cm) D.
* Approximate measurements for comparison only.	

## Installation Notes

Install this product according to the installation guide.

For disposal unit, consult local disposal supplier for roughing-in measurements.

Cutout is 23-3/4" (60.3 cm) by 20-3/4" (52.7 cm) with 1" (2.5 cm) radius corners.



## Product Diagram

URBANITE™ SELF-RIMMING KITCHEN SINK

Page 2 of 2  
105130-4-CB

THE BOLD LOOK  
OF **KOHLER**®