

SELF-RIMMING KITCHEN SINK K-3346

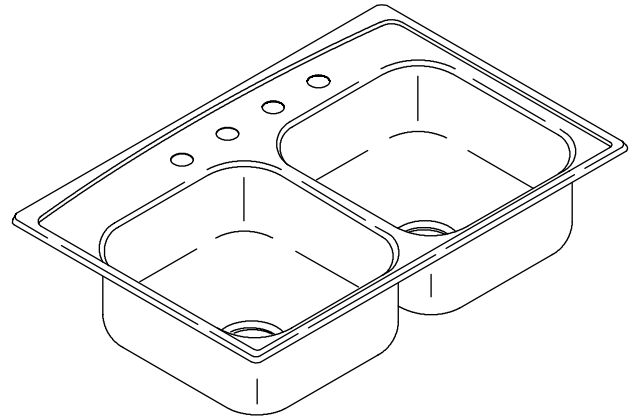
Features

- Self-rimming
- Double (equal) compartment
- 19 gauge stainless steel
- Includes installation hardware
- 33" (83.8 cm) x 22" (55.9 cm)

Codes/Standards Applicable

Specified model meets or exceeds the following:

- ASME A112.19.3
- IAPMO/UPC



Colors/Finishes

- NA: None applicable

Accessories:

- CP: Polished Chrome
- Other: Refer to Price Book for additional colors/finishes
- NA: None applicable

Specified Model

Model	Description	Colors/Finishes
K-3346-4	4-hole sink	<input type="checkbox"/> NA
K-3346-3	3-hole sink	<input type="checkbox"/> NA
Optional Accessory		
K-8801	Duostrainer® sink strainer	<input type="checkbox"/> CP <input type="checkbox"/> Other_____
K-3294	Hardwood cutting board	<input type="checkbox"/> NA

Product Specification:

The self-rimming sink shall be 33" (83.8 cm) in length and 22" (55.9 cm) in width. Sink shall be made of 19 gauge stainless steel. Sink shall be double (equal) compartment. Sink shall include installation hardware. Sink shall be available with 4-hole or 3-hole faucet punching. Sink shall be Kohler Model K-3346-_____.

TOCCATA™

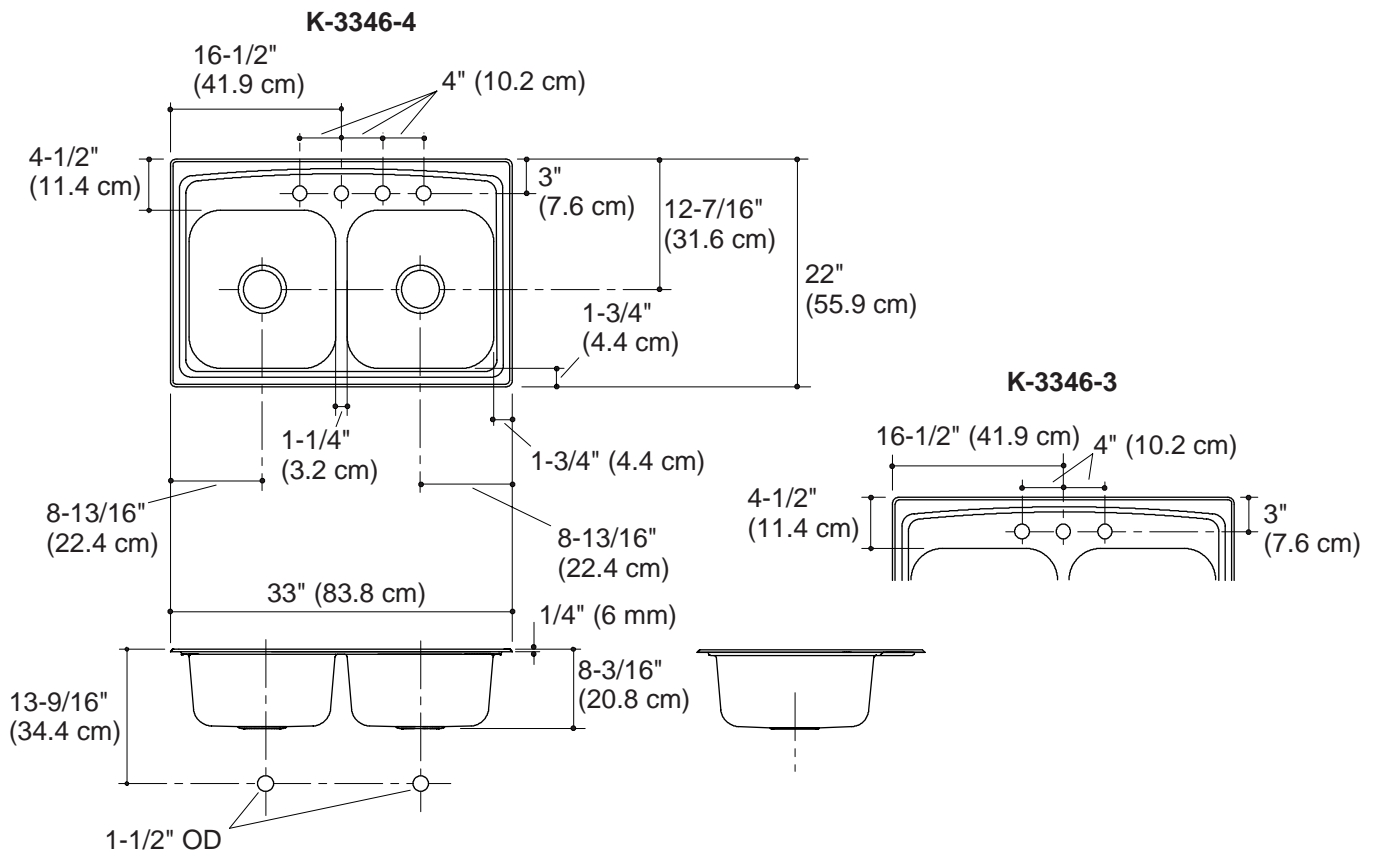
Technical Information

Fixture*:	
Left and right compartment	
Basin area	14-3/16" (36 cm) x 15-3/4" (40 cm)
Water depth	8" (20.3 cm)
Drain opening	3-5/8" (9.2 cm) D.
Faucet holes	1-7/16" (3.7 cm) D.
* Approximate measurements for comparison only.	
Included Components:	
Installation Hardware	1022739

Installation Notes

Install this product according to the installation guide.

Cutout is 32-1/2" (82.6 cm) x 21-1/2" (54.6 cm) with 1/2" (1.3 cm) radius corners.



Product Diagram