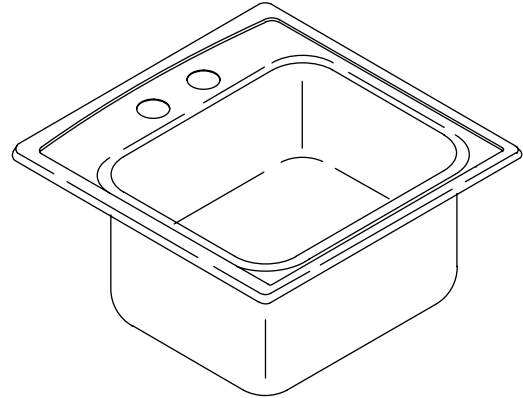


Features

- 19 gauge stainless steel
- Self-rimming
- Single compartment
- Includes installation hardware
- 2-hole (-2) or single-hole (-1)
- 15" (38.1 cm) x 15" (38.1 cm)

SELF-RIMMING ENTERTAINMENT SINK K-3349



Codes/Standards Applicable

Specified model meets or exceeds the following:

- ASME A112.19.3
- IAPMO/UPC

Colors/Finishes

- NA: None applicable

Accessories:

- CP: Polished Chrome
- NA: None applicable
- Other: Refer to Price Book for additional colors/finishes

Specified Model

Model	Description	Colors/Finishes	
K-3349-1	Single-hole entertainment sink	<input type="checkbox"/> NA	
K-3349-2	2-hole entertainment sink	<input type="checkbox"/> NA	
Optional Accessories			
K-8801	Duostrainer® sink strainer	<input type="checkbox"/> CP	<input type="checkbox"/> Other _____

Product Specification

The self-rimming entertainment sink shall be 15" (38.1 cm) in length and 15" (38.1 cm) in width. Sink shall be made of 19 gauge stainless steel. Sink shall be single compartment. Sink shall be 2-hole (-2) or single-hole (-1). Sink shall include installation hardware. Sink shall be Kohler Model K-3349-_____.

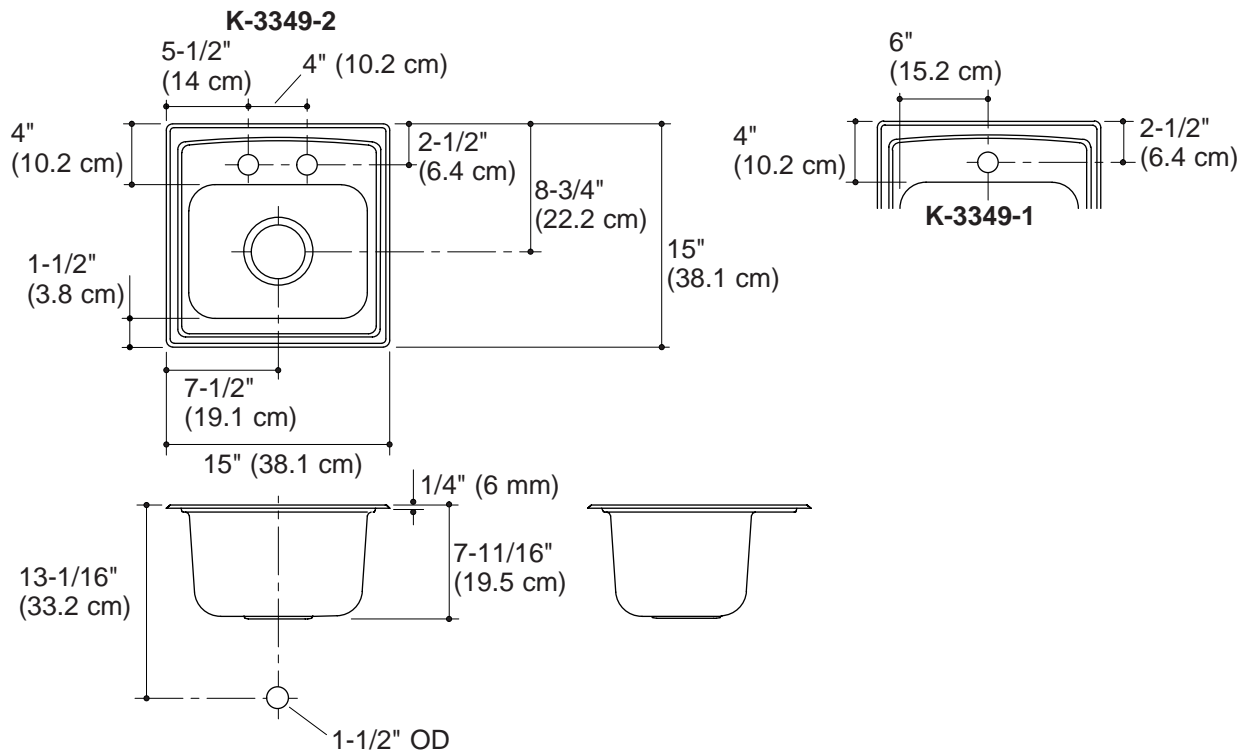
TOCCATA™

Technical Information

Fixture*:	
Basin area	12" (30.5 cm) x 9-1/2" (24.1 cm)
Water depth	7" (17.8 cm)
Drain hole	3-5/8" (9.2 cm) D.
Faucet holes	1-7/16" (3.7 cm) D.
*Approximate measurements for comparison only.	
Included components:	
Fastener pack	1022739

Installation Notes

Install this product according to the installation guide.
 Cutout is 14-1/2" (36.8 cm) x 14-1/2" (36.8 cm) with
 1/2" (1.3 cm) radius corners.



Product Diagram