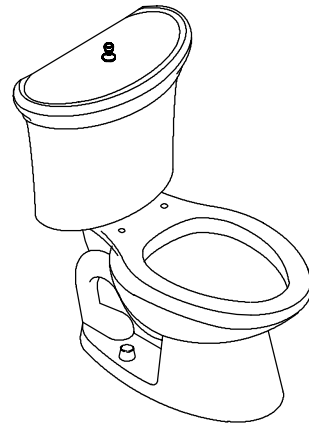


FEATURES

- 12" (30.5cm) rough-in
- Elongated bowl
- Combination toilet
- Vitreous china
- 10-3/4" (27.3cm) x 9" (22.9cm) water area
- 2" (5cm) glazed trapway
- Includes polished chrome lift knob and flange
- Less seat and supply
- 1.6 gpf (6 lpf) performance comparable to 3.5 lpf (13 lpf) models
- Ingenium™ flushing system



CODES/STANDARDS APPLICABLE

Specified model meets or exceeds the following:

- ASME A112.19.2
- ASME A112.19.6
- Energy Policy Act of 1992 (EPACT)
- IAPMO/UPC
- CSA B45

COLORS/FINISHES

- 0 White
- Other Refer to Fixtures Price Book for additional colors

Accessories:

- CP Polished Chrome
- PB Polished Brass
- Other Refer to Price Book for additional colors

SPECIFIED MODEL:

Model	Description	Colors/Finishes	
K-3444	Elongated bowl toilet	<input type="checkbox"/> 0 White	<input type="checkbox"/> Other _____

Recommended Accessories			
K-4664	Brevia™ elongated closed front seat with cover	<input type="checkbox"/> 0 White	<input type="checkbox"/> Other _____
K-7637	3/8" angle supply with stop	<input type="checkbox"/> CP <input type="checkbox"/> PB	<input type="checkbox"/> Other _____

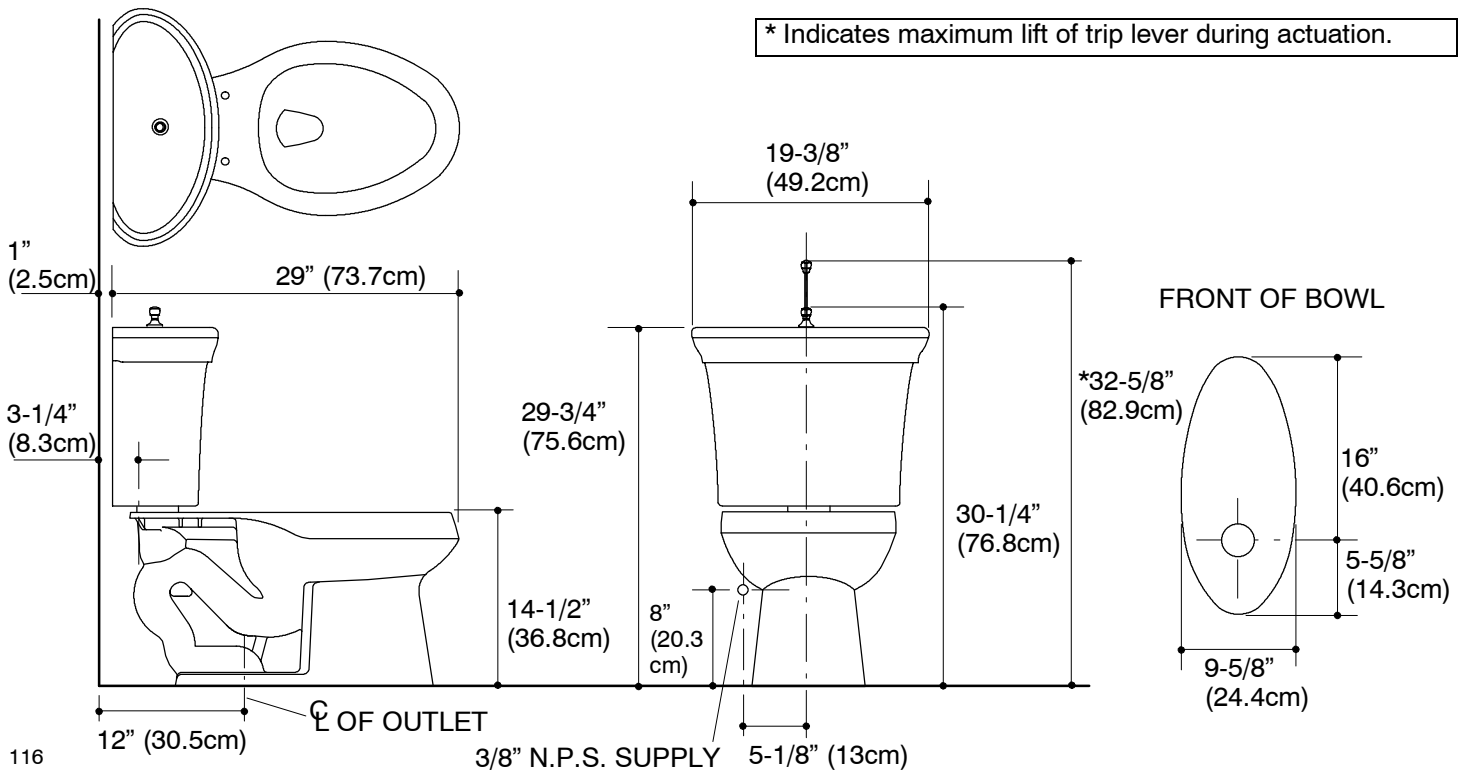
Optional Accessory			
K-9446	Flush Actuator	<input type="checkbox"/> PB	<input type="checkbox"/> Other _____

PRODUCT SPECIFICATION:

The elongated toilet combination shall be 12" (30.5cm) rough-in. Toilet shall be made of vitreous china. Toilet shall have 10-3/4" (27.3cm) x 9" (22.9cm) water area. Toilet shall have 2" (5cm) glazed trapway. Toilet shall include polished chrome lift knob and flange. Toilet shall be less seat and supply. Toilet shall have Ingenium™ flushing system. Toilet shall be 1.6 gpf (6 lpf). Toilet shall be Kohler Model K-3444-_____.

PRODUCT INFORMATION

Fixture:	
Configuration	2-piece, elongated
Water per flush	1.6 gallons (6L)
Passageway	2" (5cm)
Water area	10-3/4" (27.3cm) x 9" (22.9cm)
Water depth from rim	6" (15.2cm)
Seat post hole centers	5-1/2" (14cm)
Included Components:	
Bowl	K-4276
Tank	K-4608
Tank cover	1032188
Bolt cap accessory pack	1013092
Tank accessory pack	73062



PRODUCT DIAGRAM