

### FEATURES

- 12" (30.5cm) rough-in
- Round front bowl
- Combination toilet
- Vitreous china
- 10-1/2" (26.7cm) x 8-7/8" (22.5cm) water area
- 2" (5cm) glazed trapway
- Includes polished chrome lift knob and flange
- Less seat and supply
- Ingenium™ flushing system
- 1.6 gpf (6 lpf) performance comparable to 3.5 gpf (13L) models



### CODES/STANDARDS APPLICABLE

Specified model meets or exceeds the following:

- ASME/ANSI A112.19.2M
- ASME/ANSI A112.19.6M
- Energy Policy Act of 1992 (EPACT)
- IAPMO/UPC
- CSA B45

### COLORS/FINISHES

- 0 White
- Other Refer to Price Book for additional colors

#### Accessories:

- CP Polished Chrome
- PB Polished Brass
- Other Refer to Price Book for additional colors

### SPECIFIED MODEL:

Model	Description	Colors/Finishes	
K-3461	Round front bowl toilet	<input type="checkbox"/> 0 White	<input type="checkbox"/> Other _____

Recommended Accessories			
K-4658	Brevia™ round front closed front seat with cover	<input type="checkbox"/> 0 White	<input type="checkbox"/> Other _____
K-7637	3/8" angle supply with stop	<input type="checkbox"/> CP	<input type="checkbox"/> PB <input type="checkbox"/> Other _____

Optional Accessory			
K-9446	Flush Actuator	<input type="checkbox"/> PB	<input type="checkbox"/> Other _____

### PRODUCT SPECIFICATION:

The round front toilet combination shall be 12" (30.5cm) rough-in. Toilet shall be made of vitreous china. Toilet shall have 10-1/2" (26.7cm) x 8-7/8" (22.5cm) water area. Toilet shall have 2" (5cm) glazed trapway. Toilet shall include polished chrome lift knob and flange. Toilet shall be less seat and supply. Toilet shall have Ingenium™ flushing system. Toilet shall be 1.6 gpf (6 gpf). Toilet shall be Kohler Model K-3461-\_\_\_\_\_.

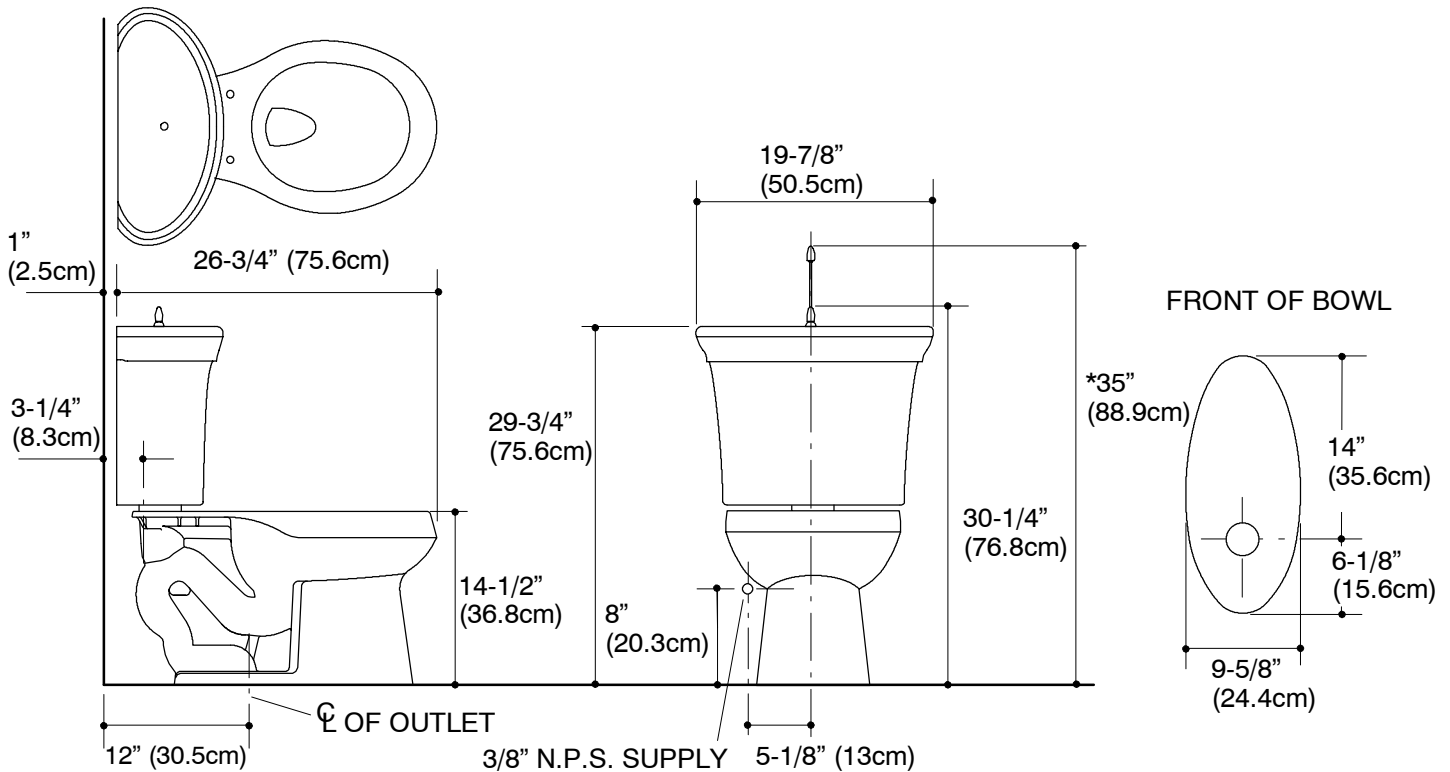
## PRODUCT INFORMATION

Fixture:	
Configuration	2-piece, round front
Water per flush	1.6 gallons (6L)
Passageway	2" (5cm)
Water area	10-1/2" (26.7cm) x 8-7/8" (22.5cm)
Water depth from rim	6" (15.2cm)
Seat post hole centers	5-1/2" (14cm)
Included Components:	
Bowl	K-4277
Tank	K-4608
Tank cover	1001739
Bolt cap accessory pack	52048
Tank accessory pack	73062

## INSTALLATION NOTES

Install this product according to the installation guide.

\* Indicates maximum lift of trip lever during actuation.



## PRODUCT DIAGRAM