

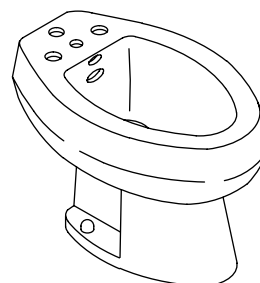
### Features

- Vitreous china
- Drilled for fixture-mounted bidet faucet and fixture-mounted vacuum breaker
- Front fill and vertical spray
- For above or below the floor rough-in
- Includes mounting hardware

### Codes/Standards Applicable

Specified model meets or exceeds the following:

- ASME A112.19.2
- IAPMO/UPC
- CSA B45



### Colors/Finishes

- 0: White
- Other: Refer to Price Book for additional colors/finishes

### Accessories:

- CP: Polished Chrome
- PB: Polished Brass

### Specified Model

Model	Description	Colors/Finishes	
K-4854	Bidet	<input type="checkbox"/> 0	<input type="checkbox"/> Other _____

Recommended Accessories				
K-142	Antique™ faucet <b>OR</b>	<input type="checkbox"/> CP	<input type="checkbox"/> PB	
K-316	Finial® Fundamentals or Traditional faucet <b>OR</b>			<input type="checkbox"/> Other _____
K-470	Memoirs® faucet <b>OR</b>	<input type="checkbox"/> CP	<input type="checkbox"/> PB	<input type="checkbox"/> Other _____
K-616	Finial Art faucet <b>OR</b>			<input type="checkbox"/> Other _____
K-6814	IV Georges Brass® faucet <b>OR</b>		<input type="checkbox"/> PB	<input type="checkbox"/> Other _____
K-8247	Taboret® faucet <b>OR</b>	<input type="checkbox"/> CP	<input type="checkbox"/> PB	
K-12286-4	Fairfax® faucet <b>OR</b>	<input type="checkbox"/> CP	<input type="checkbox"/> PB	<input type="checkbox"/> Other _____
K-16132	Revival® faucet	<input type="checkbox"/> CP	<input type="checkbox"/> PB	<input type="checkbox"/> Other _____
K-9018	P-Trap	<input type="checkbox"/> CP	<input type="checkbox"/> PB	<input type="checkbox"/> Other _____

### Product Specification

Bidet shall be made of vitreous china. Bidet shall be drilled for fixture-mounted bidet faucet and fixture-mounted vacuum breaker. Bidet shall have front fill and vertical spray. Bidet shall be for above or below the floor rough-in. Bidet shall include mounting hardware. Bidet shall be Kohler Model K-4854-\_\_\_\_\_.

# SAN TROPEZ™

## Technical Information

Fixture:	
Configuration	Integral fill and vertical spray*
Drain hole	1-3/4" (4.4 cm) D.
Spray hole	3/4" (1.9 cm) D.
Faucet hole	1-3/8" (3.5 cm) D.
Diverter hole	1-5/16" (3.3 cm) D.
Pop-up rod hole	1-1/8" (2.9 cm) D.
*Requires faucet with transfer valve or diverter.	
Included components:	
Floor screws and bolt caps	52049

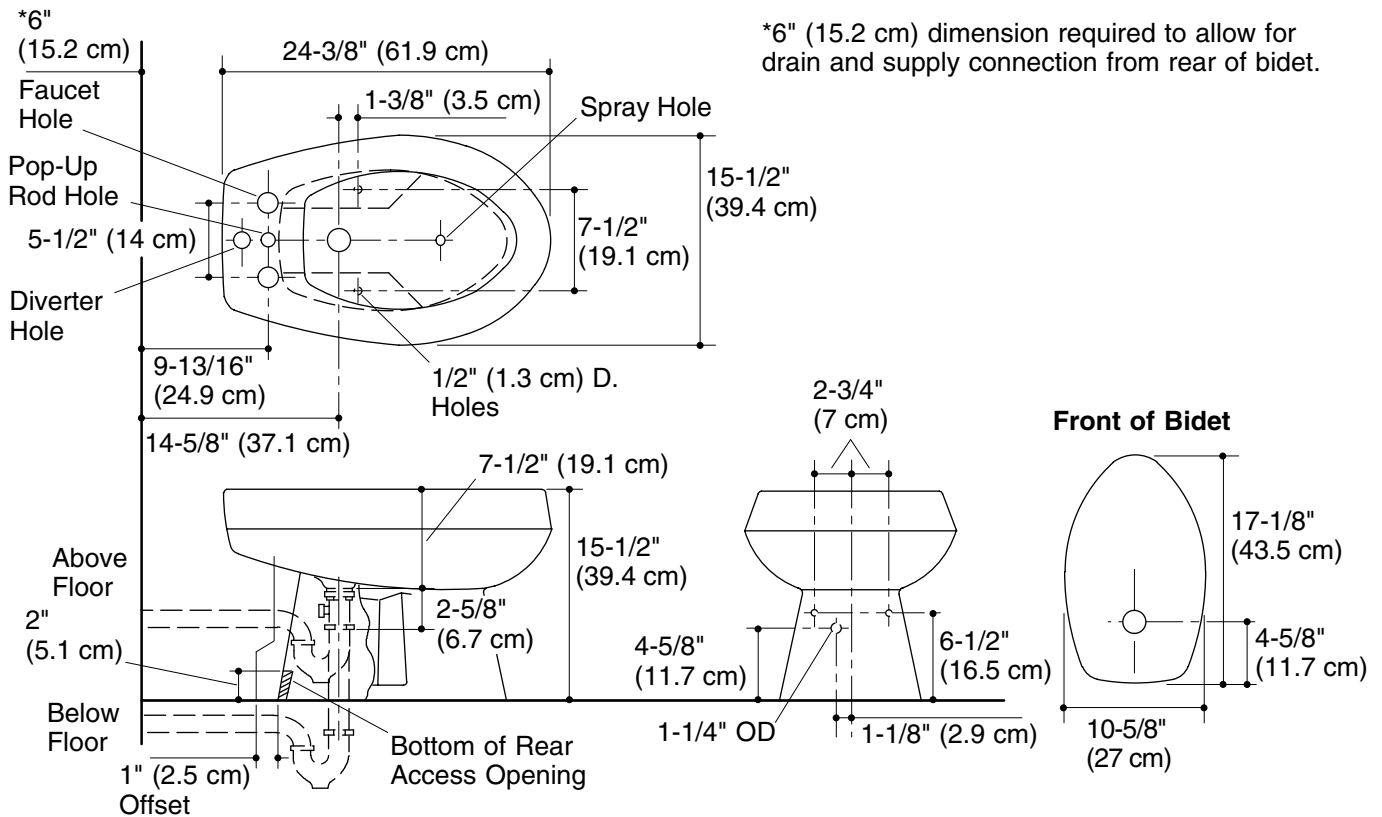
## Installation Notes

Install this product according to the installation guide.

Trap can be installed above or below the floor.

Hot and cold supplies can be installed from the floor or the wall.

For floor supplies, hot and cold must be offset 1" (2.5 cm) away from the base (toward the wall).



## Product Diagram