

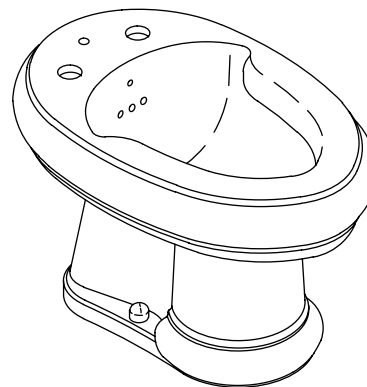
Features

- Vitreous china
- Drilled for fixture mounted bidet faucet with horizontal rim spray and wall-mounted vacuum breaker
- Includes mounting hardware

Codes/Standards Applicable

Specified model meets or exceeds the following:

- ASME A112.19.2
- IAPMO/UPC
- CSA B45



Colors/Finishes

- 0: White
- Other: Refer to Price Book for additional colors/finishes

Accessories:

- CP: Polished Chrome
- PB: Polished Brass
- Other: Refer to Price Book for additional colors/finishes

Specified Model

Model	Description	Colors/Finishes	
K-4830	Bidet	<input type="checkbox"/> 0	<input type="checkbox"/> Other_____
K-14217-TF	Ankara™ design bidet	<input type="checkbox"/> 0	

Recommended Accessories				
K-9018	P-Trap	<input type="checkbox"/> CP	<input type="checkbox"/> PB	<input type="checkbox"/> Other_____
K-16137	Revival faucet	<input type="checkbox"/> CP	<input type="checkbox"/> PB	<input type="checkbox"/> Other_____

Product Specification

Bidet shall be made of vitreous china. Bidet shall be drilled for fixture-mounted bidet faucet with horizontal rim spray and wall-mounted vacuum breaker. Bidet shall include mounting hardware. Bidet shall be Kohler Model K-4830-_____.

REVIVAL®

Technical Information

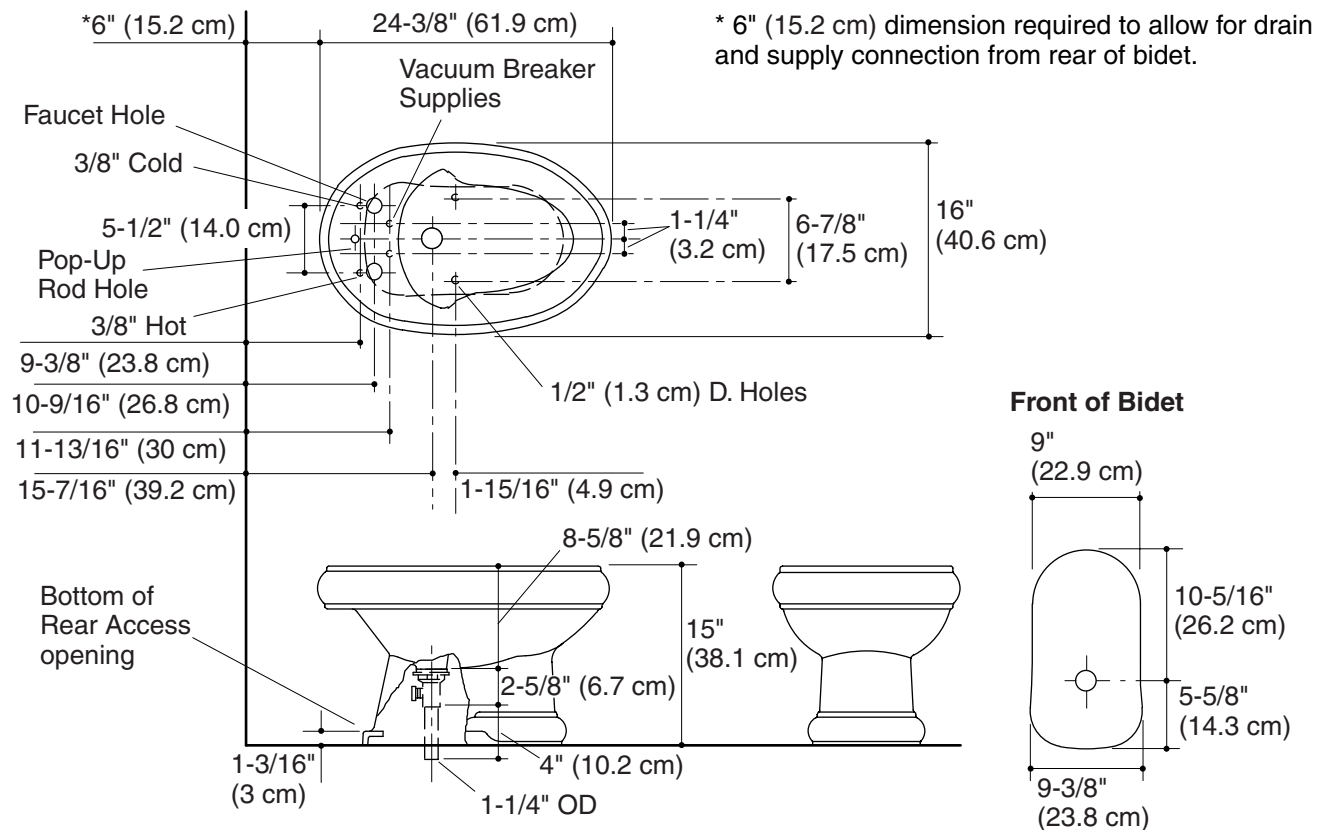
Fixture:	
Configuration	Faucet deck
Drain hole	1-3/4" (4.4 cm) D.
Spray hole	3/8" (1.0 cm) D.
Faucet hole	1-7/16" (3.7 cm) D.
Pop-up rod hole	5/8" (1.6 cm) D.
Included components:	
Floor screws and bolt caps	52049

Installation Notes

Install this product according to the installation guide.

Install trap in drain line below floor.

Hot and cold and vacuum breaker supply locations should be installed from floor.



Product Diagram