

PROFLEX™ 6040 OVAL

ACRYLIC BATH K-1147

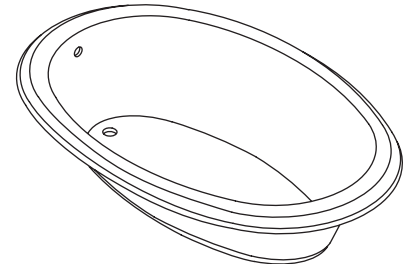
Features

- Acrylic
- Oval shape
- Molded lumbar supports and armrests
- 60" (152.4 cm) x 40" (101.6 cm) x 17-5/8" (44.8 cm)

Codes/Standards Applicable

Specified model meets or exceeds the following:

- ANSI Z124.1
- CABO/ANSI A117.1
- IAPMO/UPC
- Listed in State of Massachusetts



Colors/Finishes

- 0: White
- Other: Refer to Price Book for additional colors/finishes

Accessories:

- CP: Polished Chrome

Specified Model

Model	Description	Colors/Finishes	
K-1147	60" (152.4 cm) Proflex™ Oval bath	<input type="checkbox"/> 0 White	<input type="checkbox"/> Other_____
Recommended Accessory			
K-11677	Drain	<input type="checkbox"/> CP	

Product Specification:

The oval shaped bath shall be 60" (152.4 cm) in length, 40" (101.6 cm) in width, and 17-5/8" (44.8 cm) in height. Bath shall be made of acrylic. Bath shall have molded lumbar supports and armrests. Bath shall be Kohler Model K-1147_____.

PROFLEX™ 6040 OVAL

Technical Information

Fixture:*	basin area	top area	weight
Bathing well	46" (116.8 cm) x 19" (48.3 cm)	55" (139.7 cm) x 29" (73.7 cm)	46 lbs. (20.9 kg)
	water depth	capacity	
To overflow	14" (35.6 cm)	54 gal. (204.4 L)	

* Approximate measurements for comparison only.

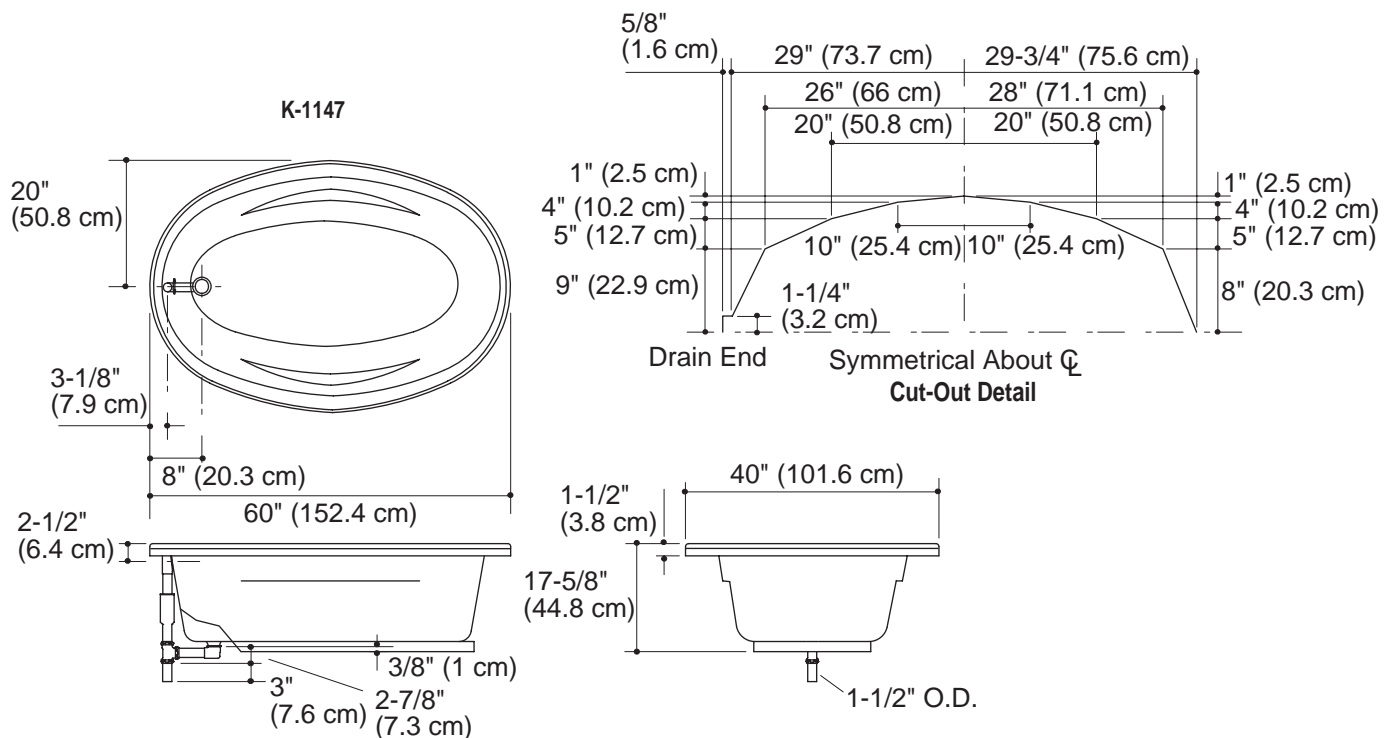
Included Components:	
Cutout template	114859-7

Installation Notes

Install this product according to the installation guide.

Floor support under bath must provide for a minimum of 80 lbs./square foot (390 kg/square meter) loading.

No change in measurements if connected with drain illustrated.



Product Diagram