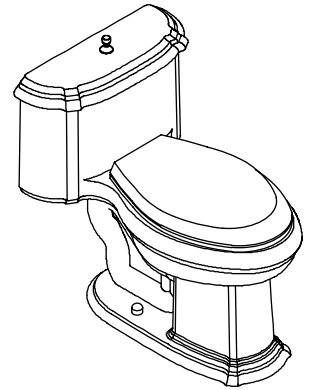


TOILET K-3506



Features

- Vitreous china
- Elongated bowl
- One-piece
- Comfort Height™
- 2-1/8" (5.4 cm) glazed trapway
- Includes seat and cover
- Includes polished chrome lift knob
- EPDM flapper
- Class Five™ flushing system
- 1.6 gpf (6 lpf) or 1.4 gpf (5.3 lpf)
- 11-1/2" (29.2 cm) x 8-1/2" (21.6 cm) water area
- 16-1/2" (41.9 cm) high bowl without seat is ADA compliant
- 27-3/4" (70.5 cm) x 20-1/2" (52.1 cm) x 28-7/8" (73.3 cm)

Codes/Standards Applicable

Specified model meets or exceeds the following:

- ADA
- ASME A112.19.2
- ASME A112.19.6
- Energy Policy Act of 1992 (EPACT)
- IAPMO/UPC
- CSA B45

Colors/Finishes

- 0: White
- Other: Refer to Price Book for additional colors/finishes

Accessories:

- CP: Polished Chrome
- PB: Polished Brass
- Other: Refer to Price Book for additional colors/finishes

Specified Model

Model	Description	Colors/Finishes		
K-3506	Elongated bowl toilet	<input type="checkbox"/> 0	<input type="checkbox"/> Other_____	
Recommended Accessories				
K-7637	Angle supply with stop	<input type="checkbox"/> CP	<input type="checkbox"/> PB	<input type="checkbox"/> Other_____
Optional Accessories				
K-9446	Flush actuator	<input type="checkbox"/> PB	<input type="checkbox"/> Other_____	

Product Specification:

Toilet shall be 27-3/4" (70.5 cm) in length x 20-1/2" (52.1 cm) in width x 28-7/8" (73.3 cm) in height. The elongated compact one-piece toilet shall be made of vitreous china. Toilet shall be Comfort Height. Toilet shall include 2-1/8" (5.4 cm) glazed trapway, seat and cover, polished chrome lift knob, EPDM flapper, and Class Five flushing system. Toilet shall be rated at 1.6 gallons (6 L) per flush or 1.4 gallons (5.3 L) per flush. Toilet shall have 11-1/2" (29.2 cm) x 8-1/2" (21.6 cm) water area. Toilet shall be ADA compliant with 16-1/2" (41.9 cm) high bowl without seat. Toilet shall be Kohler Model K-3506-_____.

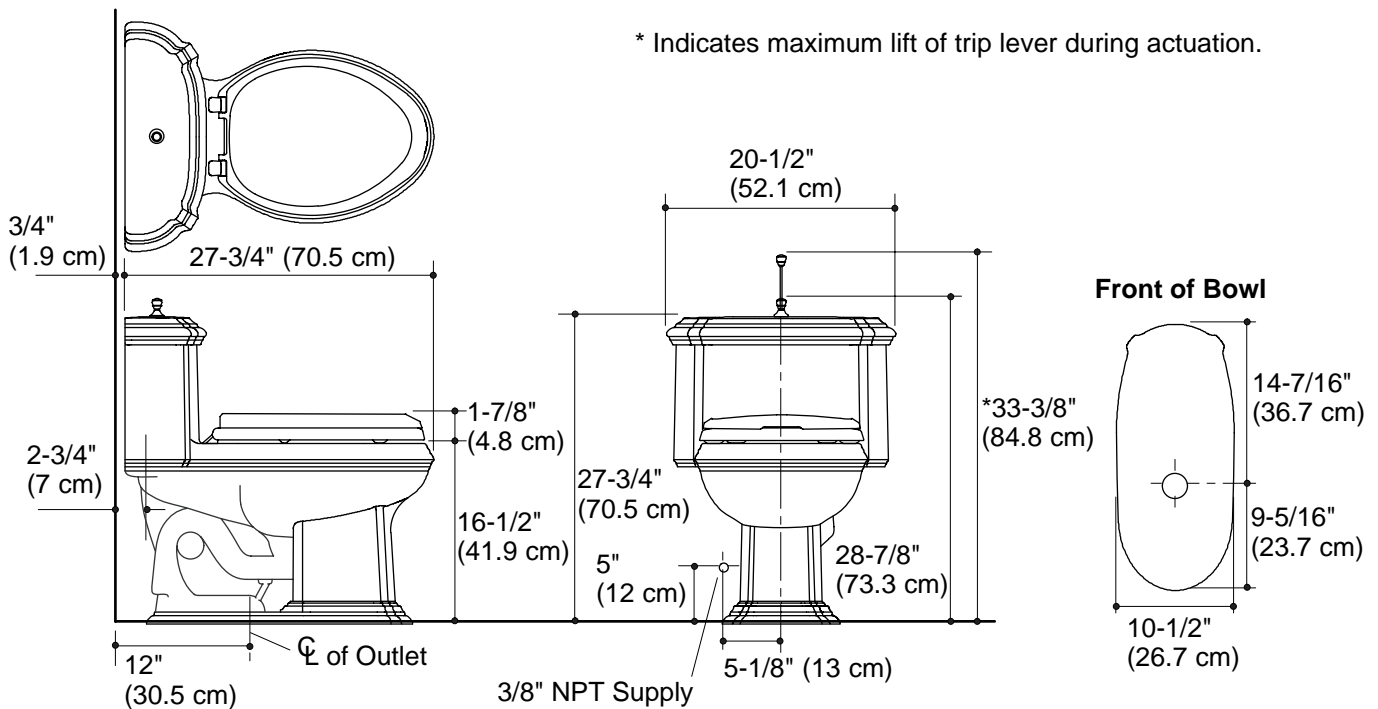
PORTRAIT® COMFORT HEIGHT™

Technical Information

Fixture:	
Configuration	One-piece, compact elongated
Water per flush	1.6 gallons (6 L) or 1.4 gallons (5.3 L)
Passageway	2-1/8" (5.4 cm)
Water area	11-1/2" (29.2 cm) x 8-1/2" (21.6 cm)
Water depth from rim	6" (15.2 cm)
Seat post hole centers	5-1/2" (14 cm)
Included components:	
Seat	K-4684
Tank cover	89809
Bolt cap accessory pack	52048
Tank accessory pack	52265

Installation Notes

Install this product according to the installation guide.



Product Diagram