

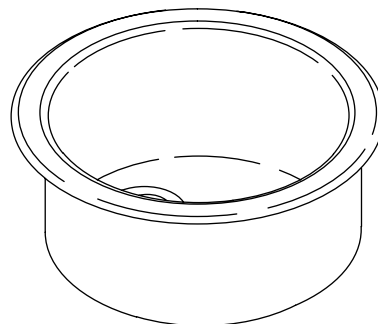
#### Features

- KOHLER cast iron
- Acid-resistant enamel finish
- Single compartment
- Self-rimming or undercounter
- 18-3/8" (46.7 cm) in diameter

#### Codes/Standards Applicable

Specified model meets or exceeds the following:

- ASME A112.19.1M
- IAPMO/UPC
- CSA B45



#### Colors/Finishes

- 0: White
- Other: Refer to Price Book for additional colors/finishes

#### Accessories:

- CP: Polished Chrome
- NA: None applicable
- Other: Refer to Price Book for additional colors/finishes

#### Specified Model

| Model  | Description        | Colors/Finishes            |                                     |
|--------|--------------------|----------------------------|-------------------------------------|
| K-6565 | Entertainment sink | <input type="checkbox"/> 0 | <input type="checkbox"/> Other_____ |

| Optional Accessories |                            |                             |                                     |
|----------------------|----------------------------|-----------------------------|-------------------------------------|
| K-6004               | Bottom basin rack          | <input type="checkbox"/> 0  | <input type="checkbox"/> Other_____ |
| K-6514               | Hardwood cutting board     | <input type="checkbox"/> NA |                                     |
| K-6518               | Wire rinse basket          | <input type="checkbox"/> 0  | <input type="checkbox"/> Other_____ |
| K-8801               | Duostrainer® sink strainer | <input type="checkbox"/> CP | <input type="checkbox"/> Other_____ |

#### Product Specification

The entertainment sink shall be made of cast iron with acid-resistant enamel finish. Sink shall be self-rimming with a single compartment. Sink shall be 18-3/8" (46.7 cm) in diameter. Sink shall be Kohler Model K-6565-\_\_\_\_\_.

# PORTO FINO

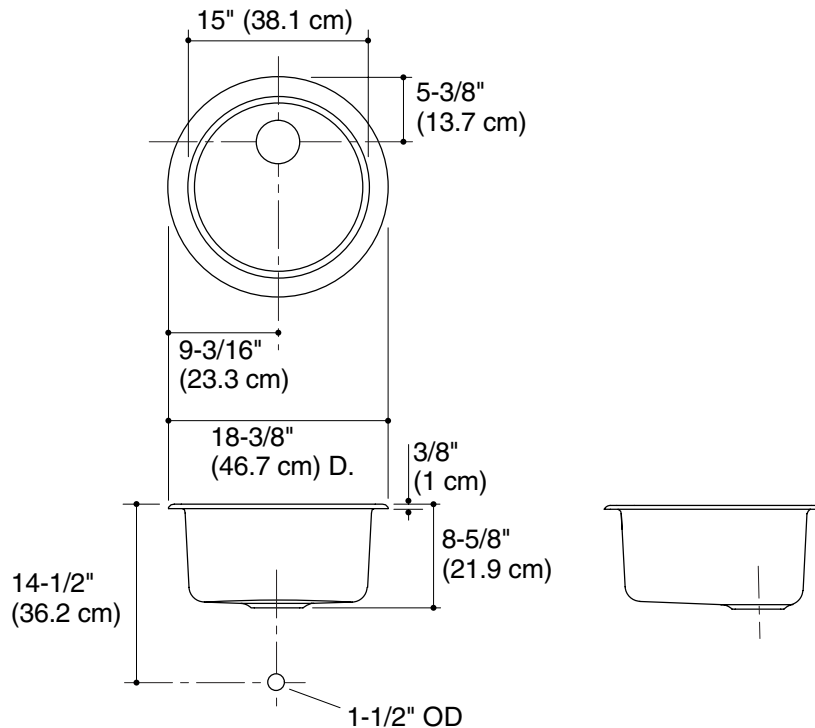
## Technical Information

|   |                    |
|---|--------------------|
| Fixture*:                                       |                    |
| Basin diameter                                  | 15" (38.1 cm)      |
| Water depth                                     | 8" (20.3 cm)       |
| Drain hole                                      | 3-5/8" (9.2 cm) D. |
| * Approximate measurements for comparison only. |                    |

|                                 |           |
|---------------------------------|-----------|
| Included components:            |           |
| Cut-out template (self-rimming) | 112355-7  |
| Cut-out template (undercounter) | 1000245-7 |

## Installation Notes

Install this product according to the installation guide.



## Product Diagram